



ARMOR HP INSTALLATION INSTRUCTIONS

**WARNING: DISCONNECT POWER DURING INSTALLATION AND BEFORE SERVICING
READ ALL INSTRUCTIONS COMPLETELY BEFORE STARTING INSTALLATION**

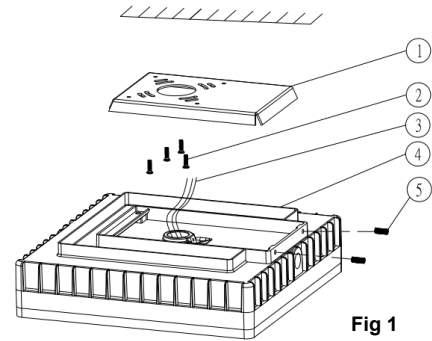
SAFETY PRECAUTIONS

Before starting the installation, disconnect the power by turning off the circuit breaker. Turning the power off by using the light switch is not sufficient to prevent electrical shock.

Fixture is for outdoor use and should not be used in areas of limited ventilation or high-ambient temperature. All work must be done by a qualified electrician.

Fixture should be ceiling mounted or wall mounted. Fixture should be located at least 12" away from any combustible materials.

Fixture should not be recessed.



INSTALLATION

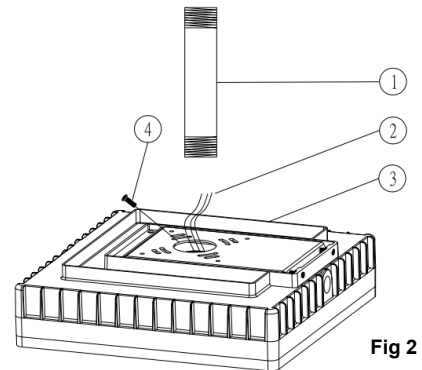
Supply Wire: Min 70°C when connecting wire leads in junction box Min 105°C when connecting wire leads inside the fixture.

Option A: Ceiling Mounting, Fig 1

1. Loosen 2 pieces screw (5) and remove mounting plate (1).
2. Fasten the mounting plate (1) to ceiling with 4 pieces screws (2).
3. Terminate 3 wires (3) connection with power supply cords.
4. Mount the fixture (4) onto mounting plate with 2 pieces screws (5)

Option B: Pendant Mounting, Fig 2

1. Route power supply cords through steel pipe (1) and make wire connection with 3 wires (2) inside the fixture
2. Screw the fixture (3) to OD3/4" steel pipe tightly and tighten the screws (4)



WARNING

1. This product must be installed in accordance with the applicable installation code by a person familiar with the construction and operation of the product and the hazards involved.
2. Fixtures are available in 120 to 277 volt input (not for connection to a voltage above 240VAC). Please verify before connecting fixture to mains power source

IMPORTANT

To weatherproof your outdoor installation, be sure to seal all housing (mounting, conduit, plugs, etc.) with silicone sealant

TROUBLE SHOOTER — CHECK LIST IF LIGHT DOES NOT WORK:

- ✓ Check the power source
- ✓ Check electrical connections
- ✓ Check if lamp is burned out
- ✓ Check to ensure proper fixing of lamp