

# ACCENTURE

LED Facade Spotlight



**Applications:** Building perimeters, bars, shopping malls, corporate offices, building facades, entrances and architectural

## PERFORMANCE SUMMARY

The Sunled Accenture LED Floodlight range features carefully designed optics built to harness light in the most efficient way possible, while its ability to be adjusted provides the ultimate flexibility

Accenture's combination of advanced technology and unique design elements create a robust yet aesthetically-pleasing accent light.

## Features

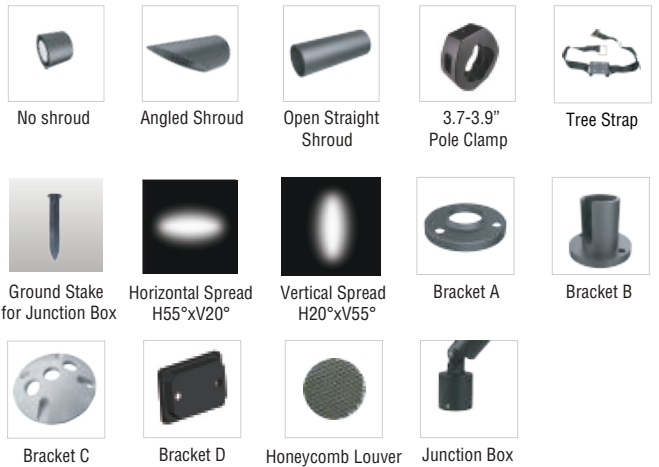
- High impact polycarbonate lens cover
- Surface finished with a proprietary Akzo Nobel treatment, withstanding harsh weather conditions without cracking or peeling
- Available in 7 different distributions precise optical control
- 240V or 24V DC RGB colour changing option, with built in driver and interface to DMX decoding system
- Exhaustive range of accessories and shrouds
- Different body sizes for building, facade or general perimeter illumination applications
- Optional wall, floor or stem mounting bracket
- Dimmable

## Specification

Volts: AC100-277V or 24V DC  
 PF: >0.95  
 Average Rated Life: 80,000hrs  
 CRI: RA80  
 Environment Location: IP65  
 Ambient temp: -20°C to 45°C



## ACCESSORIES



## PRODUCT CODE

Example Accenture I 120V cat. M.C10.3.60.NS.B.KA/H/M

Model No	Body Size	Wattage (W)	CCT (K)	Beam Angle	Shroud	Housing Color	Accessories	
Accenture I 120V	S <sup>1</sup> - Small	C4 - 4W/352lm	3 - 3000	10 - 10°	NS - No Shroud	B - Black RAL9011	KA - Bracket A	
		C8 - 8W/704lm	4 - 4000	15 - 15°	AS - Angle Shroud		H - Honeycomb Louver	
Accenture I 24V	M - Medium	C10 - 10W/880lm	5 - 5000	25 - 25°	OS - Open Straight	W - White RAL9016	KC - Bracket C	
		C15 - 15W/1320lm	R - Red	45 - 45°			KD - Bracket D	J - Pole Clamp 3.7"-3.9"
		C20 - 20W/1760lm	G - Green	60 - 60°			J - Junction Box	M - Marine Corrosion Resistant
	L - Large	C30 - 30W/2640lm	B - Blue	5520	H55°xV20°	M - Mineral Bronze	R - Remote Driver	
		C40 - 40W/3520lm	RGB - RGB	2055			S - Ground Stake	DMX - DMX Decoder
				2055			S - Silver RAL9006	P - Tree Strap
			2055	H20°xV55°			O - None	

## NOTES

\*TRIAC dimming available for small body



# ACCENTURE

LED Facade Spotlight

## PRODUCT CODE

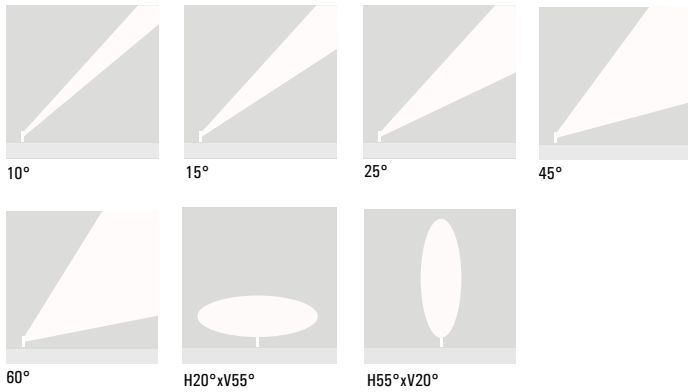
Example Accenture II 120V cat. S.C8.6.25.AS.B.H/M

Model No	Body Size	Wattage (W)	CCT (K)	Beam Angle	Shroud	Housing Color	Accessories
Accenture II 120V	S <sup>1</sup> - Small	C4 - 4W/352lm	3 - 3000	10 - 10°	NS - No Shroud	B - Black	H - Honeycomb
		C8 - 8W/704lm	4 - 4000	15 - 15°	AS - Angle Shroud	RAL9011	Louder
Accenture II 24V	M - Medium	C10 - 10W/880lm	5 - 5000	25 - 25°	OS - Open Straight	W - White	DMX - DMX
		C15 - 15W/1320lm	R - Red	45 - 45°		RAL9016	Decoder
		C20 - 20W/1760lm	G - Green	60 - 60°		G - Gray	M - Marine
			B - Blue	5520		RAL7012	Corrosion
			RGB - RGB	H55°xV20°		M - Mineral	Resistant
			2055		Bronze	O - None	
			H20°xV55°		S - Silver		
					RAL9006		

## NOTES

<sup>1</sup>TRIAC dimming available for small body

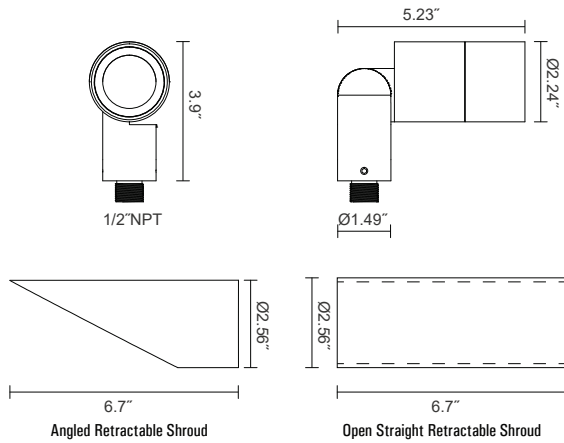
## BEAM ANGLE



## DIMENSIONS

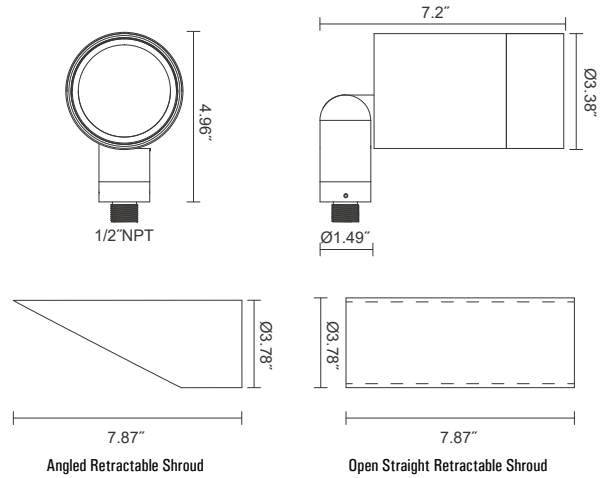
### Accenture I/Small Body

Weight: 3.5lbs (1.6kg)



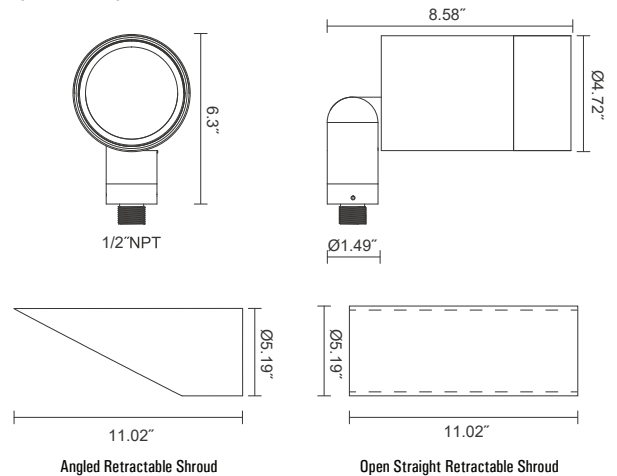
### Accenture I/Medium Body

Weight: 3.7lbs (1.7kg)



### Accenture I/Large Body

Weight: 7.7bs (3.5kg)

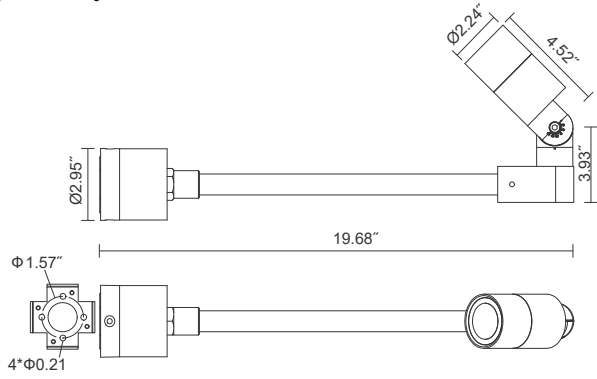


# ACCENTURE

LED Facade Spotlight

## Accenture II/Small Body

Weight: 5.1lbs (2.3kg)



## Accenture II/Medium Body

Weight: 8.2lbs (3.7kg)

