



# ACCENTURE SERIES

LED Accent Light

## Versatility For Any Space

The Sunled Accenture LED Floodlight range features a combination of advanced technology and unique design elements that create a robust yet aesthetically-pleasing accent light.

Accenture's carefully designed optics were built to harness light in the most efficient way possible, while its ability to be adjusted provides ultimate flexibility

### Performance Summary:

- Durable extruded die cast aluminium housing
- Tempered glass lens cover
- Surface finished with a proprietary Akzo Nobel treatment, withstanding harsh weather conditions without cracking or peeling
- Available in 10 different distributions precise optical control
- 240V or 24V DC RGB colour changing option, with built in driver and interface to DMX decoding system
- Exhaustive range of accessories and shrouds
- Dimmable



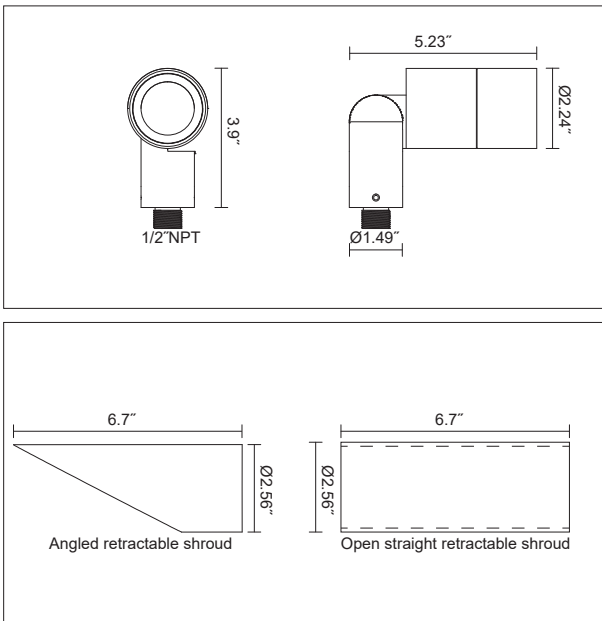


## AC7016 LED 4W, 8W

### Applications

LED accent light with multiple beam patterns and retractable shrouds, 360° rotatable and 180° tiltable, ideally suited for accent lighting. Miniature size, unobtrusive appearance. NPT 0.5" stem with choices of mounting accessories allow installation on hard surfaces, lawns and trees. TRIAC dimming standard.

### Dimensions







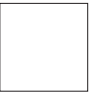







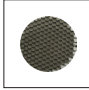




### Specifications

Housing	Die-cast aluminum
Gasket	Silicone rubber
Front Cover	Tempered Glass
LED Optic	Polycarbonate Lens
Surface Finish	AkzoNobel powder coating
Driver Type	Constant current, TRIAC dimming standard
Input Voltage	120V/AC
Ambient Temperature	-20°C~45°C
Ingress Protection	IP65

### Certifications



### Options and Accessories

<b>Shroud</b>	 No shroud	 Angled retractable shroud	 Open straight retractable shroud		
<b>Housing Color</b>	 Black RAL9011	 White RAL9016	 Gray RAL7012	 Mineral bronze	 Silver RAL9006
 Tree strap	 Ground stake for junction box	 Horizontal spread H55°xV20°	 Vertical spread H20°xV55°	 Honeycomb Louver	
 Mounting bracket A	 Mounting bracket B	 Mounting bracket C	 Junction Box		

### Ordering Guide:

Example: <sup>1</sup>AC7016 - <sup>2</sup>C4 - <sup>3</sup>4 - <sup>4</sup>15 - <sup>5</sup>80 - <sup>6</sup>NS - <sup>7</sup>B - <sup>8</sup>S

1 Series	2 Power	3 CCT	4 Beam angle	5 Ra	6 Shroud	7 Housing Color	8 Accessories
AC7016	C4: COB 4W C8: COB 8W	3: 3000K 4: 4000K	15: 15° 25: 25° 40: 40° AH: H55°xV20° AV: H20°xV55°	80: Ra80	NS: No shroud AS: Angled retractable shroud OS: Open straight retractable shroud	B: Black RAL9011 W: White RAL9016 G: Gray RAL7012 Z: Mineral bronze S: Silver RAL9006	KA: Mounting bracket A KB: Mounting bracket B KC: Mounting bracket C J: Junction Box S: Ground Stake P: Tree strap H: Honeycomb Louver M: Marine ambient corrosion resistance TRI: (TRIAC dimming standard)



## Specifications

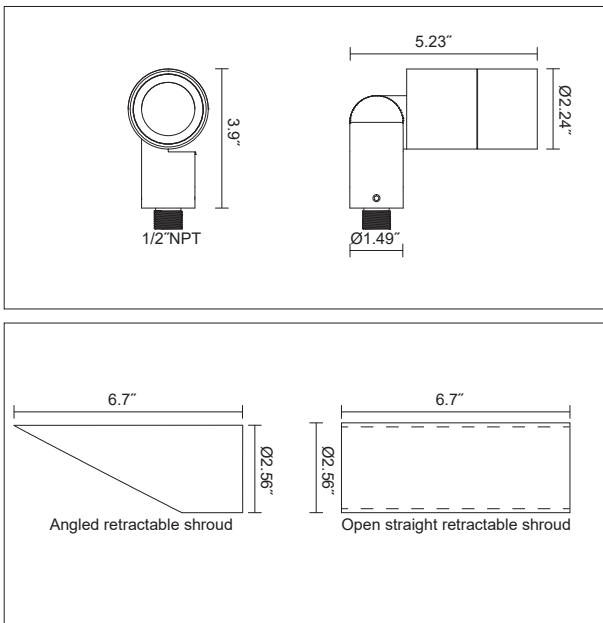
<b>Housing</b>	Die-cast aluminum
<b>Gasket</b>	Silicone rubber
<b>Front Cover</b>	Tempered Glass
<b>LED Optic</b>	Polycarbonate Lens
<b>Surface Finish</b>	AkzoNobel powder coating
<b>Driver Type</b>	Constant current
<b>Input Voltage</b>	12V/AC, 24V/DC
<b>Ambient Temperature</b>	-20°C~45°C
<b>Ingress Protection</b>	IP65
<b>Certifications</b>	ETL

## AC7016-LV LED 4W, 7W











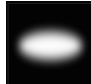






### Applications

Low voltage LED accent light with multiple beam patterns and retractable shrouds, 360° rotatable and 180° tiltable, ideally suited for accent lighting. NPT 0.5" stem connects to (existing) 12V/AC junction box or optional mounting brackets. 24V/DC input voltage available for remote driver.

### Dimensions



### Options and Accessories

<b>Shroud</b>	 No shroud	 Angled retractable shroud	 Open straight retractable shroud		
<b>Housing Color</b>	 Black RAL9011	 White RAL9016	 Gray RAL7012	 Mineral bronze	 Silver RAL9006
 Tree strap	 Ground stake for junction box	 Horizontal spread H55°xV20°	 Vertical spread H20°xV55°	 Honeycomb Louver	
 Mounting bracket A	 Mounting bracket B	 Mounting bracket C	 Junction Box		

### Ordering Guide:

Example: AC7016-LV - C4 - 4 - 25 - 80 - 12 - NS - B - S

1 Series	2 Power	3 CCT	4 Beam angle	5 Ra	6 Input Voltage	7 Shroud	8 Housing Color	9 Accessories
AC7016-LV	C4: LED 4W C7: LED 7W	3: 3000K 4: 4000K 6: 6000K R: Red G: Green B: Blue	10: 10° 15: 15° 25: 25° 38: 38° 45: 45° AH: H55°xV20° AV: H20°xV55°	80: Ra80	12: 12V/AC 24: 24V/DC	NS: No shroud AS: Angled shroud OS: Open straight shroud	B: Black RAL9011 W: White RAL9016 G: Gray RAL7012 Z: Mineral bronze S: Silver RAL9006	KA: Mounting bracket A KB: Mounting bracket B KC: Mounting bracket C J: Junction Box R: Remote driver S: Ground stake P: Tree strap H: Honeycomb Louver M: Marine ambient corrosion resistance

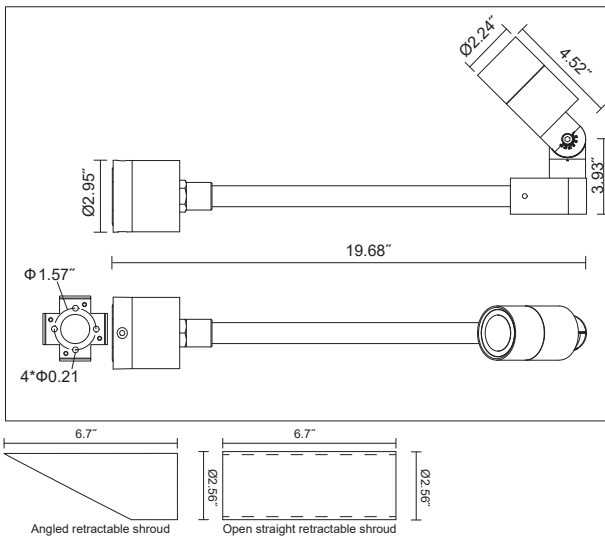


## AC7025 LED 4W, 8W

### Applications

LED accent light with multiple beam patterns and retractable shrouds, 360° rotatable and 180° tiltable, ideally suited for accent lighting. Mounting bracket extends fixture setback to enable broader coverage of target vertical surface while the miniature size keeps fixture and bracket images inconspicuous. TRIAC dimming standard.

### Dimensions



### Specifications

Housing	Die-cast aluminum
Gasket	Silicone rubber
Front Cover	Tempered Glass
LED Optic	Polycarbonate Lens
Surface Finish	AkzoNobel powder coating
Driver Type	Constant current, TRIAC dimming standard
Input Voltage	120V/AC
Ambient Temperature	-20°C~45°C
Ingress Protection	IP65

Certifications



### Options and Accessories

Shroud					
	No shroud	Angled retractable shroud	Open straight retractable shroud		
	<hr/>				
Housing Color					
	Black RAL9011	White RAL9016	Gray RAL7012	Mineral bronze	Silver RAL9006
<hr/>					
	Horizontal spread H55°xV20°	Vertical spread H20°xV55°	Honeycomb Louver		

### Ordering Guide:

Example: AC7025 - C4 - 4 - 15 - 80 - NS - B - H

1 Series	2 Power	3 CCT	4 Beam angle	5 Ra	6 Shroud	7 Housing Color	8 Accessories
AC7025	C4: COB 4W C8: COB 8W	3: 3000K 4: 4000K	15: 15° 25: 25° 40: 40° AH: H55°xV20° AV: H20°xV55°	80: Ra80	NS: No shroud AS: Angled retractable shroud OS: Open straight retractable shroud	B: Black RAL9011 W: White RAL9016 G: Gray RAL7012 Z: Mineral bronze S: Silver RAL9006	H: Honeycomb Louver M: Marine ambient corrosion resistance TRI: (TRIAC dimming standard)

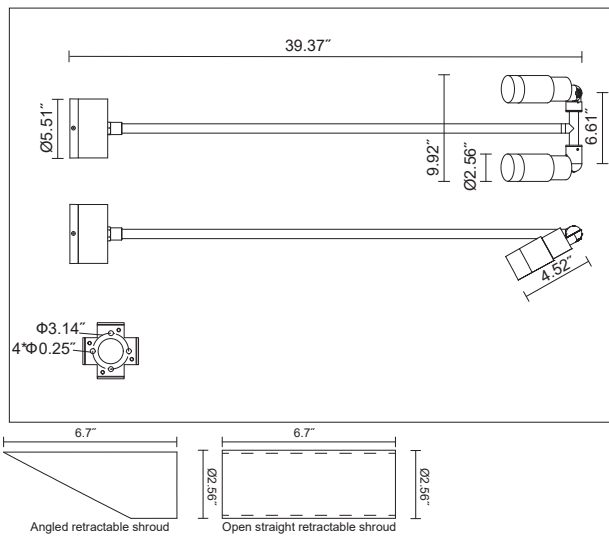


## AC7028 LED 8W, 16W

### Applications

LED accent light with multiple beam patterns and retractable shrouds, twin heads each 360° rotatable and 180° tiltable, ideally suited for accent lighting. Mounting bracket supports two fixtures, aiming of each independently adjustable. TRIAC dimming standard.

### Dimensions



### Specifications

Housing	Die-cast aluminum
Gasket	Silicone rubber
Front Cover	Tempered Glass
LED Optic	Polycarbonate Lens
Surface Finish	AkzoNobel powder coating
Driver Type	Constant current, TRIAC dimming standard
Input Voltage	120V/AC
Ambient Temperature	-20°C~45°C
Ingress Protection	IP65
Certifications	ETL Intertek



### Options and Accessories

**Shroud**

- No shroud
- Angled retractable shroud
- Open straight retractable shroud

---

**Housing Color**

- Black RAL9011
- White RAL9016
- Gray RAL7012
- Mineral bronze
- Silver RAL9006

---

**Accessories**

- Horizontal spread H55°xV20°
- Vertical spread H20°xV55°
- Honeycomb Louver

### Ordering Guide:

Example: 1 AC7028 - 2 C16 - 3 4 - 4 15 - 5 80 - 6 AS - 7 B - 8 H

1 Series	2 Power	3 CCT	4 Beam angle	5 Ra	6 Shroud	7 Housing Color	8 Accessories
AC7028	C8: COB 4W x2 C16: COB 8W x2	3: 3000K 4: 4000K	15: 15° 25: 25° 40: 40° AH: H55°xV20° AV: H20°xV55°	80: Ra80	NS: No shroud AS: Angled retractable shroud OS: Open straight retractable shroud	B: Black RAL9011 W: White RAL9016 G: Gray RAL7012 Z: Mineral bronze S: Silver RAL9006	H: Honeycomb Louver M: Marine ambient corrosion resistance TRI: (TRIAC dimming standard)



## Specifications

Housing	Die-cast aluminum
Gasket	Silicone rubber
Front Cover	Tempered Glass
LED Optic	Polycarbonate Lens
Surface Finish	AkzoNobel powder coating
Driver Type	Constant current, TRIAC dimming standard
Input Voltage	120V/AC
Ambient Temperature	-20°C~45°C
Ingress Protection	IP65

Certifications

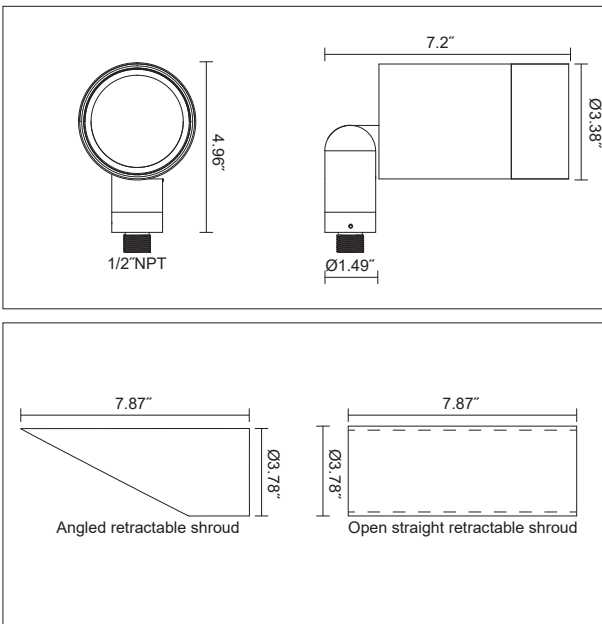


## AC7066 LED 10W, 15W

### Applications

LED accent light with multiple beam patterns and retractable shrouds, 360° rotatable and 180° tiltable, ideally suited for accent lighting. Miniature size, unobtrusive appearance. NPT 0.5" stem with choices of mounting accessories allow installation on hard surfaces, lawns and trees. TRIAC dimming standard.

### Dimensions



### Options and Accessories

**Shroud**

- No shroud
- Angled retractable shroud
- Open straight retractable shroud

---

**Housing Color**

- Black RAL9011
- White RAL9016
- Gray RAL7012
- Mineral bronze
- Silver RAL9006

---

**Accessories**

- Tree strap
- Ground stake for junction box
- Horizontal spread H55°xV20°
- Vertical spread H20°xV55°
- Honeycomb Louver

---

**Mounting Options**

- Mounting bracket A
- Mounting bracket B
- Mounting bracket C
- Junction Box

### Ordering Guide:

Example: **AC7066 - C10 - 4 - 24 - 80 - NS - B - H**

Series	Power	CCT	Beam angle	Ra	Shroud	Housing Color	Accessories
AC7066	C10: COB 10W C15: COB 15W	3: 3000K 4: 4000K	24: 24° 40: 40° 60: 60° AH: H55°xV20° AV: H20°xV55°	80: Ra80	NS: No shroud AS: Angled retractable shroud OS: Open straight retractable shroud	B: Black RAL9011 W: White RAL9016 G: Gray RAL7012 Z: Mineral bronze S: Silver RAL9006	KA: Mounting bracket A KB: Mounting bracket B KC: Mounting bracket C J: Junction Box S: Ground Stake P: Tree strap H: Honeycomb Louver M: Marine ambient corrosion resistance TRI: (TRIAC dimming standard)





## AC7066-LV LED 7W, 11W

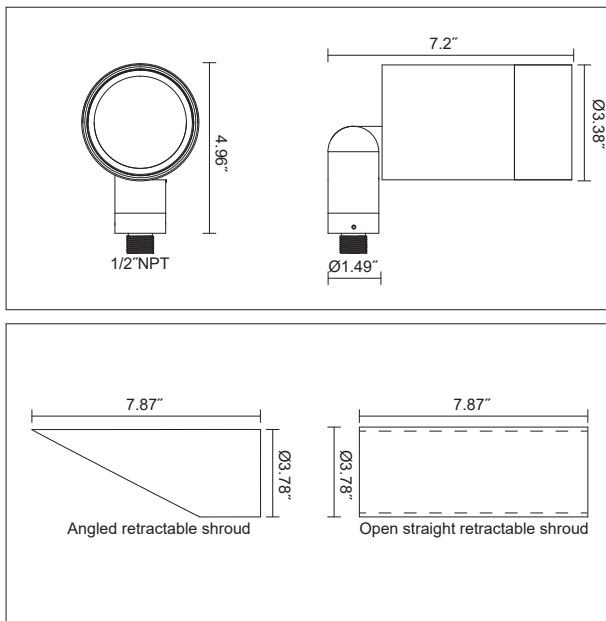
### Applications

Low voltage LED accent light with multiple beam patterns and retractable shrouds, 360° rotatable and 180° tiltable, ideally suited for accent lighting. NPT 0.5" stem connects to (existing) 12V/AC junction box or optional mounting brackets. 24V/DC input voltage available for remote driver.











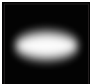






### Specifications

Housing	Die-cast aluminum
Gasket	Silicone rubber
Front Cover	Tempered Glass
LED Optic	Polycarbonate Lens
Surface Finish	AkzoNobel powder coating
Driver Type	Constant current
Input Voltage	12V/AC, 24V/DC
Ambient Temperature	-20°C~45°C
Ingress Protection	IP65
Certifications	ETL

### Dimensions



### Options and Accessories

<b>Shroud</b>	 No shroud	 Angled retractable shroud	 Open straight retractable shroud		
<b>Housing Color</b>	 Black RAL9011	 White RAL9016	 Gray RAL7012	 Mineral bronze	 Silver RAL9006
 Tree strap	 Ground stake for junction box	 Horizontal spread H55°xV20°	 Vertical spread H20°xV55°	 Honeycomb Louver	
 Mounting bracket A	 Mounting bracket B	 Mounting bracket C	 Junction Box		

### Ordering Guide:

Example: <sup>1</sup>AC7066-LV - <sup>2</sup>C11 - <sup>3</sup>4 - <sup>4</sup>25 - <sup>5</sup>80 - <sup>6</sup>12 - <sup>7</sup>NS - <sup>8</sup>B - <sup>9</sup>S

1 Series	2 Power	3 CCT	4 Beam angle	5 Ra	6 Input Voltage	7 Shroud	8 Housing Color	9 Accessories
AC7066-LV	C7: LED 7W C11: LED 11W	3: 3000K 4: 4000K 6: 6000K R: Red G: Green B: Blue	10: 10° 15: 15° 25: 25° 38: 38° 45: 45° AH: H55°xV20° AV: H20°xV55°	80: Ra80	12: 12V/AC 24: 24V/DC	NS: No shroud AS: Angled shroud OS: Open straight shroud	B: Black RAL9011 W: White RAL9016 G: Gray RAL7012 Z: Mineral bronze S: Silver RAL9006	KA: Mounting bracket A KB: Mounting bracket B KC: Mounting bracket C J: Junction Box R: Remote driver S: Ground stake P: Tree strap H: Honeycomb Louver M: Marine ambient corrosion resistance

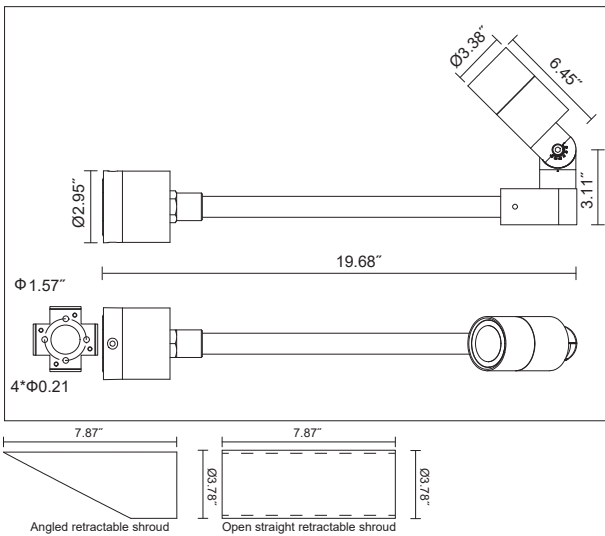


## AC7067 LED 10W, 15W

### Applications

LED accent light with multiple beam patterns and retractable shrouds, 360° rotatable and 180° tiltable, ideally suited for accent lighting. Mounting bracket extends fixture setback to enable broader coverage of target vertical surface while the miniature size keeps fixture and bracket images inconspicuous. TRIAC dimming standard.

### Dimensions



### Specifications

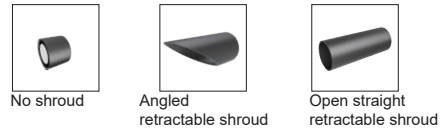
Housing	Die-cast aluminum
Gasket	Silicone rubber
Front Cover	Tempered Glass
LED Optic	Polycarbonate Lens
Surface Finish	AkzoNobel powder coating
Driver Type	Constant current, TRIAC dimming standard
Input Voltage	120V/AC
Ambient Temperature	-20°C~45°C
Ingress Protection	IP65

### Certifications



### Options and Accessories

#### Shroud



#### Housing Color



### - B Ordering Guide:

Example: <sup>1</sup>AC7067 - <sup>2</sup>C10 - <sup>3</sup>4 - <sup>4</sup>24 - <sup>5</sup>80 - <sup>6</sup>NS - <sup>7</sup>B - <sup>8</sup>H


1 Series	2 Power	3 CCT	4 Beam angle	5 Ra	6 Shroud	7 Housing Color	8 Accessories
AC7067	C10: COB 10W C15: COB 15W	3: 3000K 4: 4000K	24: 24° 40: 40° 60: 60° AH: H55°xV20° AV: H20°xV55°	80: Ra80	NS: No shroud AS: Angled retractable shroud OS: Open straight retractable shroud	B: Black RAL9011 W: White RAL9016 G: Gray RAL7012 Z: Mineral bronze S: Silver RAL9006	H: Honeycomb Louver M: Marine ambient corrosion resistance TRI: (TRIAC dimming standard)





## AC7069 LED 20W, 30W, 40W

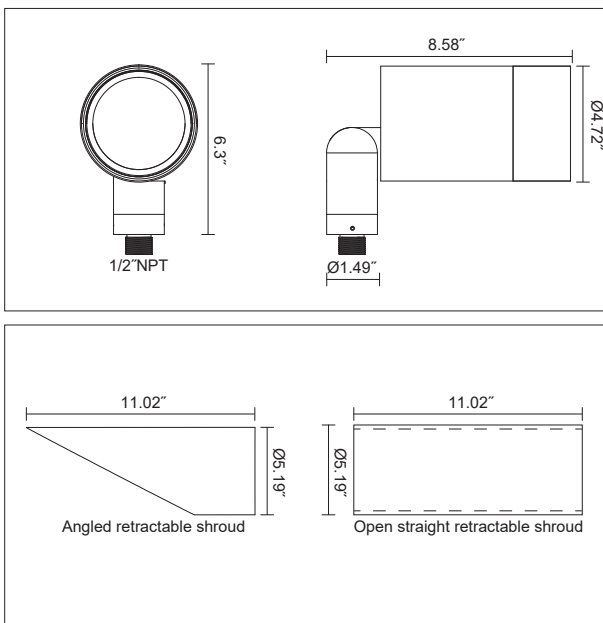
### Specifications

<b>Housing</b>	Die-cast aluminum
<b>Gasket</b>	Silicone rubber
<b>Front Cover</b>	Tempered Glass
<b>LED Optic</b>	Polycarbonate Lens
<b>Surface Finish</b>	AkzoNobel powder coating
<b>Driver Type</b>	Constant current, TRIAC dimming standard
<b>Input Voltage</b>	120V/AC
<b>Ambient Temperature</b>	-20°C~45°C
<b>Ingress Protection</b>	IP65
<b>Certifications</b>	

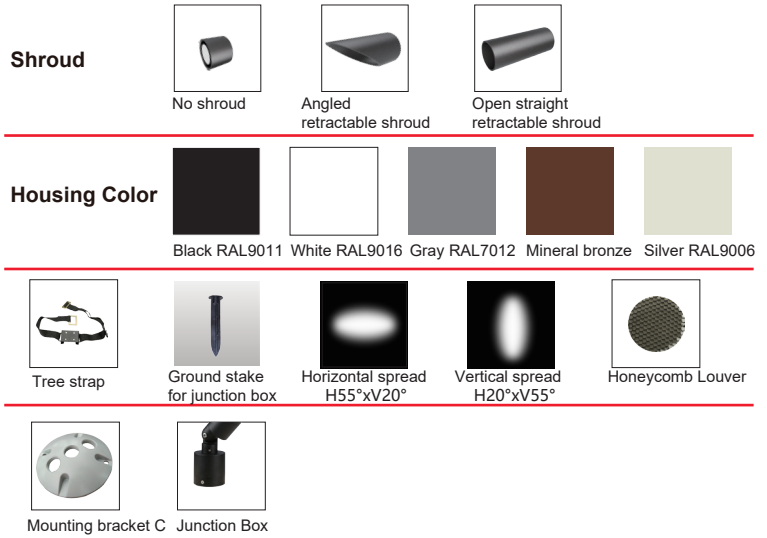
### Applications

LED accent light with multiple beam patterns and retractable shrouds, 360° rotatable and 180° tiltable, ideally suited for accent lighting. Miniature size, unobtrusive appearance. NPT 0.5" stem with choices of mounting accessories allow installation on hard surfaces, lawns and trees. TRIAC dimming standard.

### Dimensions



### Options and Accessories



### Ordering Guide:

Example: **AC7069 - C20 - 4 - 24 - 80 - NS - B - H**

1	2	3	4	5	6	7	8
Series	Power	CCT	Beam angle	Ra	Shroud	Housing Color	Accessories
AC7069	C20: COB 20W C30: COB 30W C40: COB 40W	3: 3000K 4: 4000K	24: 24° 40: 40° 60: 60° AH: H55°xV20° AV: H20°xV55°	80: Ra80	NS: No shroud AS: Angled retractable shroud OS: Open straight retractable shroud	B: Black RAL9011 W: White RAL9016 G: Gray RAL7012 Z: Mineral bronze S: Silver RAL9006	KC: Mounting bracket C J: Junction Box S: Ground Stake P: Tree strap H: Honeycomb Louver M: Marine ambient corrosion resistance TRI: (TRIAC dimming standard)



## AC7069-LV LED 15W, 21W

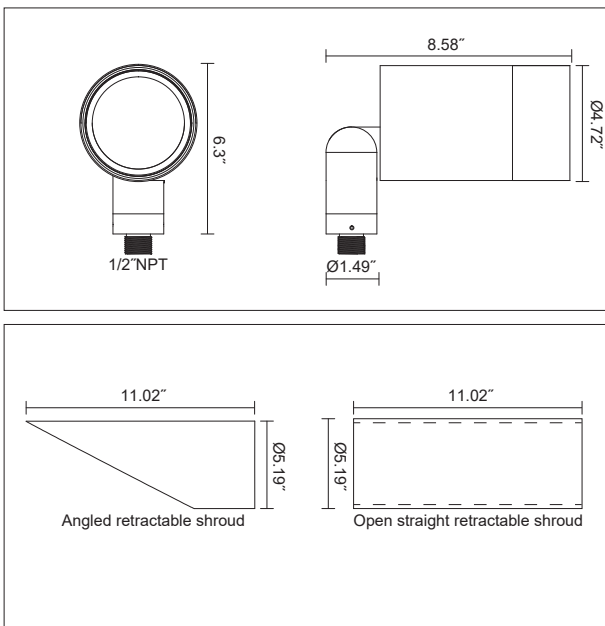
### Applications

Low voltage LED accent light with multiple beam patterns and retractable shrouds, 360° rotatable and 180° tiltable, ideally suited for accent lighting. NPT 0.5" stem connects to (existing) 12V/AC junction box or optional mounting brackets. 24V/DC input voltage available for remote driver.

### Specifications

Housing	Die-cast aluminum
Gasket	Silicone rubber
Front Cover	Tempered Glass
LED Optic	Polycarbonate Lens
Surface Finish	AkzoNobel powder coating
Driver Type	Constant current
Input Voltage	12V/AC, 24V/DC
Ambient Temperature	-20°C~45°C
Ingress Protection	IP65
Certifications	ETL

### Dimensions



### Options and Accessories

Shroud					
	No shroud	Angled retractable shroud	Open straight retractable shroud		
Housing Color					
	Black RAL9011	White RAL9016	Gray RAL7012	Mineral bronze	Silver RAL9006
Tree strap	Ground stake for junction box	Horizontal spread H55°xV20°	Vertical spread H20°xV55°	Honeycomb Louver	
Mounting bracket C	Junction Box				

### Ordering Guide:

Example: 1 AC7069-LV - 2 C15 - 3 4 - 4 25 - 5 80 - 6 12 - 7 NS - 8 B - 9 H

1 Series	2 Power	3 CCT	4 Beam angle	5 Ra	6 Input Voltage	7 Shroud	8 Housing Color	9 Accessories
AC7069-LVC15: LED 15W C21: LED 21W		3: 3000K 4: 4000K 6: 6000K R: Red G: Green B: Blue	10: 10° 15: 15° 25: 25° 38: 38° 45: 45° 60: 60° AH: H55°xV20° AV: H20°xV55°	80: Ra80	12: 12V/AC 24: 24V/DC	NS: No shroud AS: Angled shroud OS: Open straight shroud	B: Black RAL9011 W: White RAL9016 G: Gray RAL7012 Z: Mineral bronze S: Silver RAL9006	KC: Mounting bracket C J: Junction Box R: Remote driver S: Ground stake P: Tree strap H: Honeycomb Louver M: Marine ambient corrosion resistance



## Specifications

Housing	Die-cast aluminum
Gasket	Silicone rubber
Front Cover	Tempered Glass
LED Optic	Polycarbonate Lens
Surface Finish	AkzoNobel powder coating
Driver Type	Constant current
Input Voltage	100~277V/AC
Ambient Temperature	-20°C~45°C
Ingress Protection	IP65

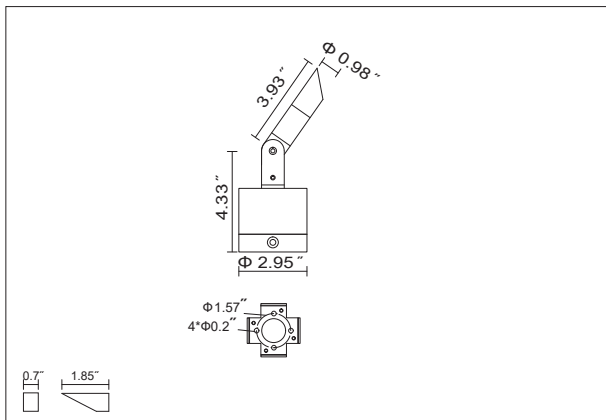
Certifications	
----------------	--

## AC7158 LED 3W

### Applications

LED mini-accent light with multiple beam patterns and retractable shrouds, 360° rotatable and 180° tiltable, ideally suited for highlighting small objects or small target surfaces. Diminutive dimensions and choices of mounting accessories allow unobtrusive placement on wall surfaces, lawns and trees.

### Dimensions



### Options and Accessories

Shroud	No shroud              Angled shroud
Housing Color	Black RAL9011              White RAL9016              Gray RAL7012              Mineral bronze              Silver RAL9006
	Horizontal spread H35°xV15°              Vertical spread H15°xV35°              Tree strap              Ground Stake
	Ground Mount (standard)              Wall Mount (standard)              Ground stake

### Ordering Guide:

Example: **AC7158 - C3 - 4 - 15 - 80 - AS - B - S**

1 Series	2 Power	3 CCT	4 Beam angle	5 Ra	6 Shroud	7 Housing Color	8 Accessories
AC7158	C3:LED 3W	3: 3000K 4: 4000K 6: 6000K	08: 8° 15: 15° 25: 25° 40: 40° AH: H35°xV15° AV: H15°xV35°	80: Ra80	NS: No shroud AS: Angled shroud	B: Black RAL9011 W: White RAL9016 G: Gray RAL7012 Z: Mineral bronze S: Silver RAL9006	S: Ground Stake P: Tree strap M: Marine ambient corrosion resistance