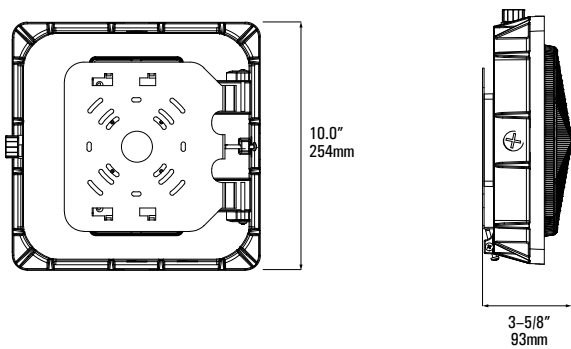
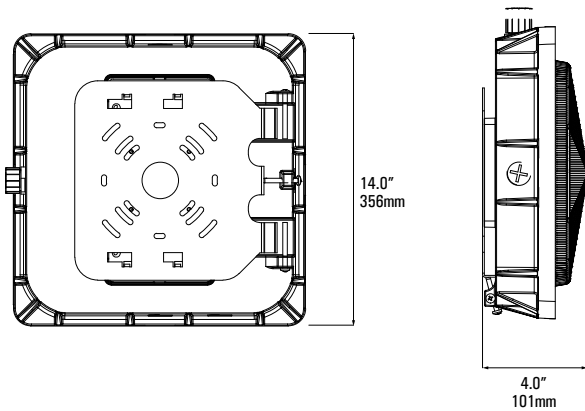


ARMOR G2

Canopy Light

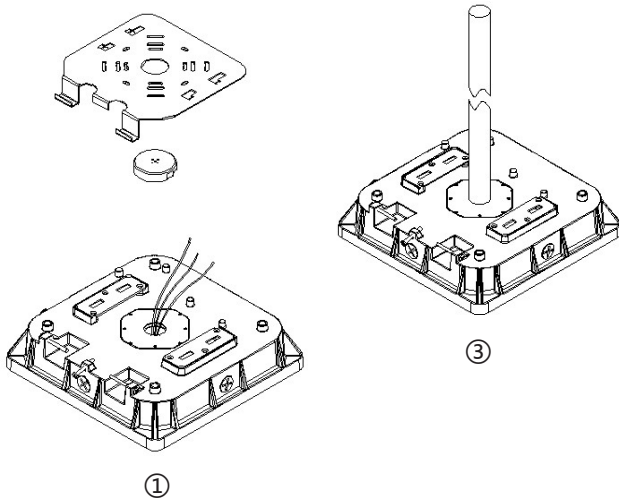
DIMENSIONS



INSTALLATION

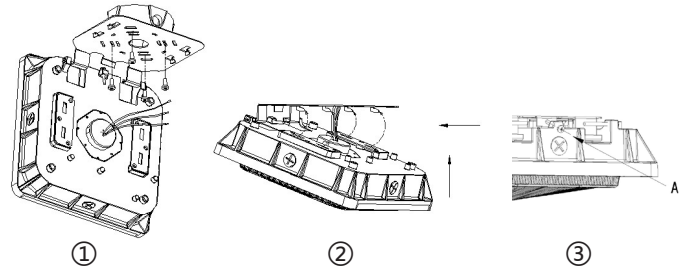
Pendant

- (1) Remove rubber plug and mounting plate
- (2) Connect the wires
- (3) Fix luminaire to the ceiling with 3/4" conduit



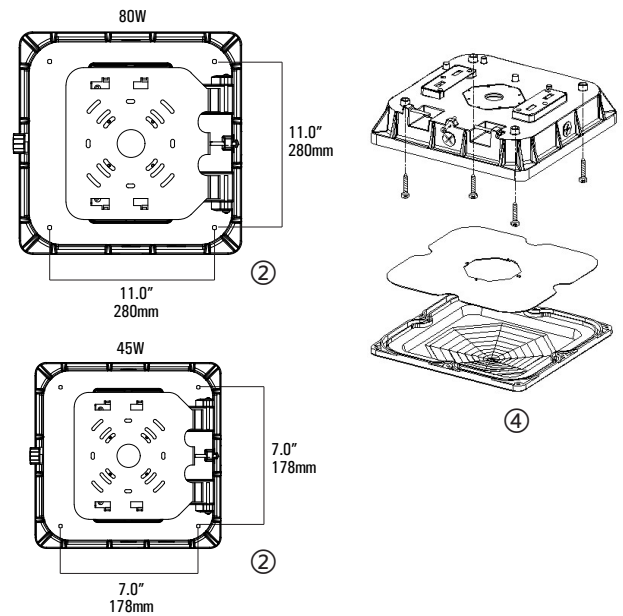
Junction Mount

- (1) Fix mounting plate onto the junction box
- (2) Hang light body onto the mounting plate and wiring
- (3) Slide fixture towards to the hook, fasten the screw A to seal the fixture



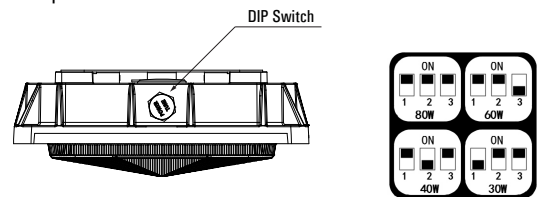
Ceiling Mount

- (1) Remove the diffuser and reflector
- (2) Align screws to ceiling at spacing's shown
- (3) Fasten luminaire and connect the wires
- (4) Replace the reflector and diffuser. Fasten the diffuser with twisting force of no less than 13kgf.cm/1.275N.m



Watt Tunable

Unscrew the knob cap before using the watt selectable function. Toggle DIP switches 1, 2, 3 to select the corresponding watts. Screw the knob cap after use

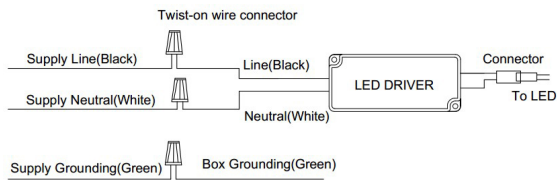


ARMOR G2

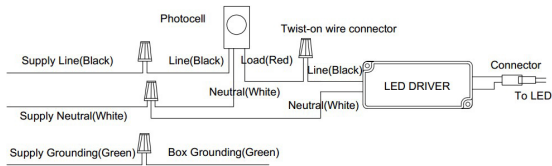
Canopy Light

1/2" Side Plugs

- (1) Do not touch the yellow portion of the LED array as damage may occur
- (2) Remove the screws attaching the diffuser and reflector to the housing.
- (3) Remove 1/2" plug on intended side of conduit entry
- (4) Use the EVA gasket in the provided accessory pack to cover the 3/4" threaded hole on back plate.
- (5) Fixture is best mounted from the back of fixture securing it to the mounting surface using the appropriate mounting hardware. All unused conduit entry points must be plugged. Waterproof silicone will ensure a tight seal.
- (6) Complete the wiring to incoming power and ground.
- (7) Replace the reflector and diffuser. Fasten the diffuser with twisting force no less than 13kgf.cm/1.275N.m. Complete wiring as diagram below



Wiring With Photocell



Wiring Without Photocell