

ARMOR

Parking Garage Light

INSTALLATION INSTRUCTIONS

Important: Disconnect power supply at fuse or breaker panel before performing wiring between fixture and power supply

Safety

- Ensure power is OFF before or during installation or maintenance
- Proper grounding is required to ensure personal safety..
- Do not recess the fixture. For covered ceilings only.
- A licensed electrician is required to perform all work.
- **Do not touch the LED COB as damage may occur**

Ceiling Mounting

- (1) Unfasten two horizontal screws attaching the upper plate. (see Fig.1)
- (2) Remove 3/4" plug from back, or 1/2" plug from side, for wiring access.
- (3) Mount the back plate by drilling through back plate, and tighten it by screws (see Fig.2).
- (4) Route the incoming power and ground wires through the 3/4" hole from back, or 1/2" hole from side.
- (5) Connect live and neutral wires respectively with wire connectors
- (6) Close the upper plate to the back plate and tighten the two horizontal screws on the side .

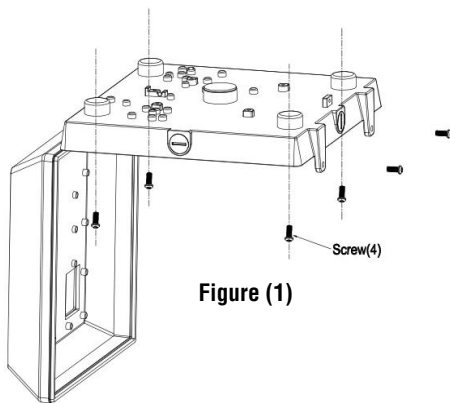


Figure (1)

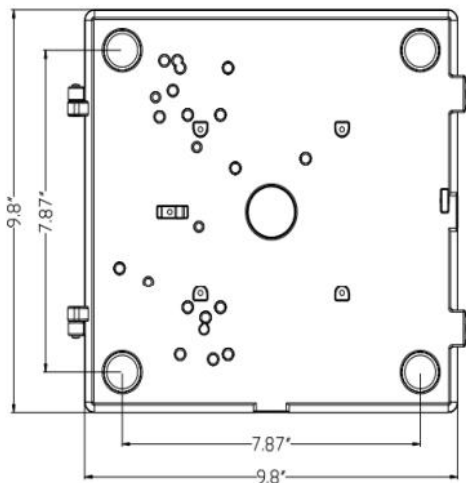


Figure (2)

Pendant Mounting

- (1) Unfasten two horizontal screws attaching the upper plate. (see Fig.1).
- (2) Remove 3/4" plug from back for wiring access.
- (3) Route the incoming power and ground wires through the 3/4" hole from back.
- (4) Screw pendant onto fixture and feed wires through pipe.
- (5) Connect live and neutral wires respectively with wire connectors

Important: For pendant mounting in humid ambient, please use waterproof glue or waterproof tape to wrap around the pendant before fastening the fixture.

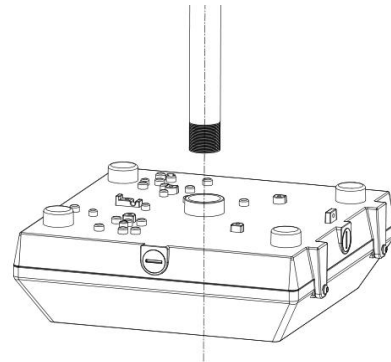


Figure (3)

Mounting Brackets

- (1) Secure the mounting bracket (provided, see Fig. 6) to junction box.
- (2) Secure fixture to mounting bracket's hinge slots (see Fig. 5).
- (3) Connect live and neutral wires respectively with wire connectors. Push wires into junction box.
- (4) Raise fixture to leveled position and push Fixture forwards to slip fixture to to fixed bracket. Secure fixture in position by the secure screw to prevent it moving (see Fig. 7)

Maintenance: The fixture is designed for years with minimum care. For optimum performance, periodically clean the reflector and lens with a mild, non-abrasive glass cleaner and soft cloth. Do not use solvents or cleaners containing abrasive agents. When cleaning the fixture, ensure the power turn off and do not spray liquid cleaner directly onto the LED, socket, or wiring.

ARMOR

Parking Garage Light

Figure (4)

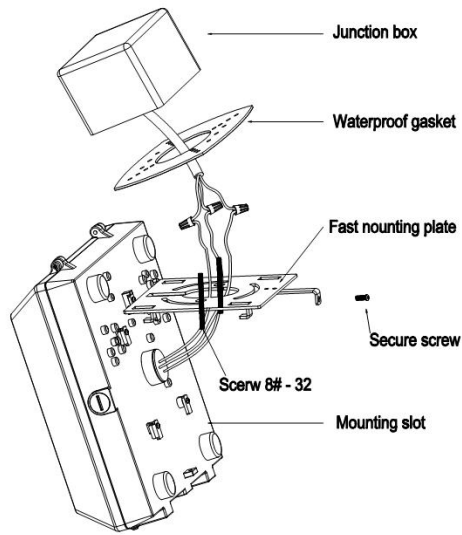


Figure (5)

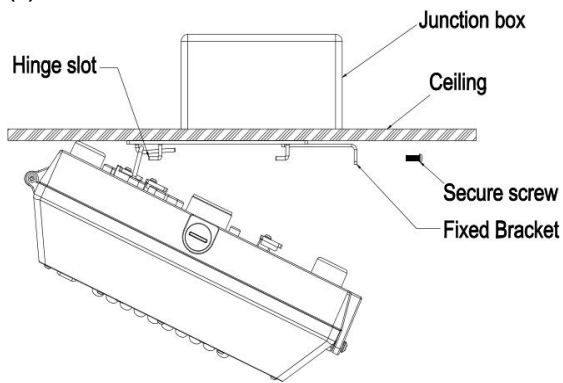


Figure (6)

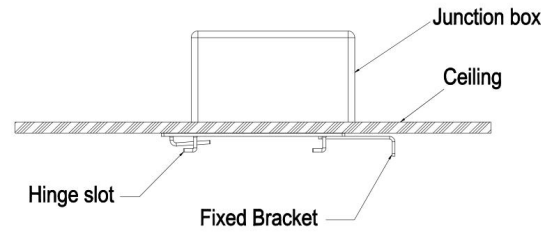


Figure (7)

