

# ARMOR

Parking Garage Light



**Applications:** Parking garage, industrial, warehouse, factories, outdoor areas, gas stations, transport and logistics

## PERFORMANCE SUMMARY

With multiple control options, the Armor Parking Garage Series LED delivers uniform lighting with vertical illumination, full cutoff and low glare for maximum luminance for drivers and pedestrians.

In addition, the LEDs uniformly work well with security and surveillance security video cameras, eliminating dark spots. The Armor fixtures include a number of features to save energy, installation and maintenance costs

## Features

- 6-year limited warranty
- High efficiency reflectors provide exceptional ground uniformity with vertical illumination and full cut off
- Heavy duty die cast aluminium housing resistant to harsh conditions
- Optimised thermal design with separate driver and heat sink driver for increased longevity
- Easy access to fixture driver for quick maintenance without opening light source
- Available with suspended and ceiling mount accessories
- Emergency battery backup option
- Integral motion/daylight 0-10v dimming control in accordance with ambient light levels

## Specification

Volts: AC100-277V  
 Average Rated Life: 80,000hrs  
 CRI: RA73  
 Environment Location: IP65  
 Emergency Operation: 90min  
 Ambient Temp: -31°F to 113°F  
 PF: >0.9

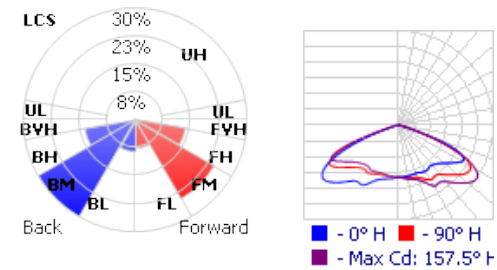
## PRODUCT CODE

Example Armor cat. 100.40.C.45.W.IMS

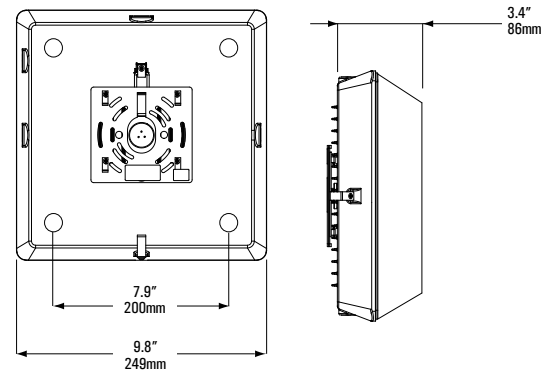
Model No	Voltage	Wattage (W)	Mounting	CCT (°K)	Color	Control
Armor	100 - 100-277V	20 - 20W/2,700lms	C - Ceiling	40 - 4000	W - White	IMS - Integral Motion Daylight Sensor
	347 - 347-480V	30 - 30W/4,050lms	SS - Pendant	45 - 4500	DB - Dark Bronze	PE - Photocell
		40 - 40W/5,400lms	Suspended	50 - 5000	BB - Battery Backup	
		55 - 55W/7,425lms		D - Dimmable		
		80 - 80W/10,800lms		0 - None		



## PHOTOMETRICS



## DIMENSIONS



# ARMOR

Parking Garage Light

## INSTALLATION INSTRUCTIONS

**Important:** Disconnect power supply at fuse or breaker panel before performing wiring between fixture and power supply

### Safety

- Ensure power is OFF before or during installation or maintenance
- Proper grounding is required to ensure personal safety..
- Do not recess the fixture. For covered ceilings only.
- A licensed electrician is required to perform all work.
- **Do not touch the LED COB as damage may occur**

### Ceiling Mounting

- (1) Unfasten two horizontal screws attaching the upper plate. (see Fig.1)
- (2) Remove 3/4" plug from back, or 1/2" plug from side, for wiring access.
- (3) Mount the back plate by drilling through back plate, and tighten it by screws (see Fig.2).
- (4) Route the incoming power and ground wires through the 3/4" hole from back, or 1/2" hole from side.
- (5) Connect live and neutral wires respectively with wire connectors
- (6) Close the upper plate to the back plate and tighten the two horizontal screws on the side .

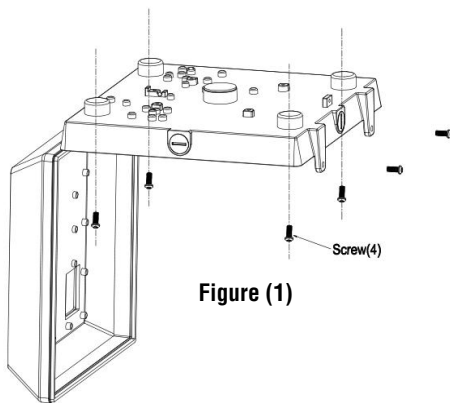


Figure (1)

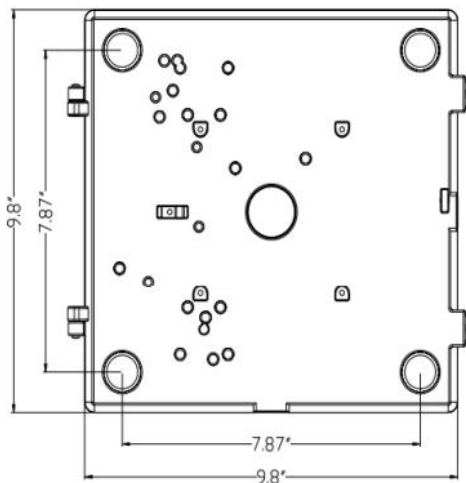


Figure (2)

### Pendant Mounting

- (1) Unfasten two horizontal screws attaching the upper plate. (see Fig.1).
- (2) Remove 3/4" plug from back for wiring access.
- (3) Route the incoming power and ground wires through the 3/4" hole from back.
- (4) Screw pendant onto fixture and feed wires through pipe.
- (5) Connect live and neutral wires respectively with wire connectors

**Important:** For pendant mounting in humid ambient, please use waterproof glue or waterproof tape to wrap around the pendant before fastening the fixture.

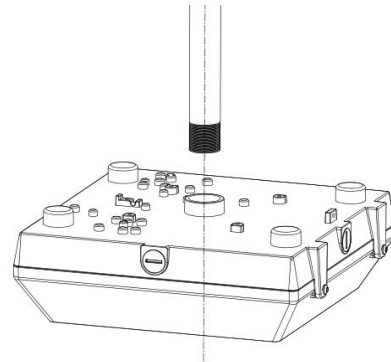


Figure (3)

### Mounting Brackets

- (1) Secure the mounting bracket (provided, see Fig. 6) to junction box.
- (2) Secure fixture to mounting bracket's hinge slots (see Fig. 5).
- (3) Connect live and neutral wires respectively with wire connectors. Push wires into junction box.
- (4) Raise fixture to leveled position and push Fixture forwards to slip fixture to to fixed bracket. Secure fixture in position by the secure screw to prevent it moving (see Fig. 7)

**Maintenance:** The fixture is designed for years with minimum care. For optimum performance, periodically clean the reflector and lens with a mild, non-abrasive glass cleaner and soft cloth. Do not use solvents or cleaners containing abrasive agents. When cleaning the fixture, ensure the power turn off and do not spray liquid cleaner directly onto the LED, socket, or wiring.

# ARMOR

Parking Garage Light

Figure (4)

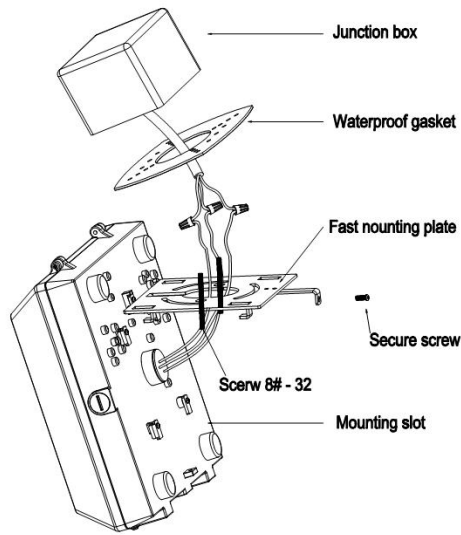


Figure (5)

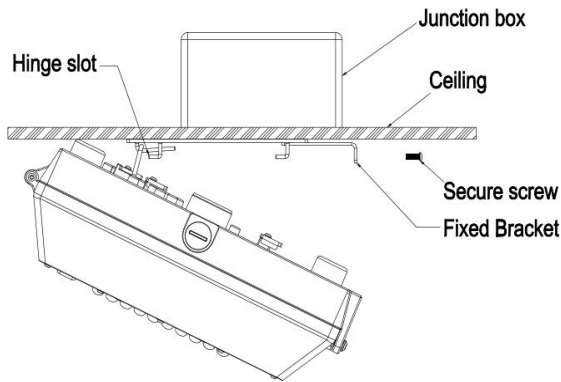


Figure (6)

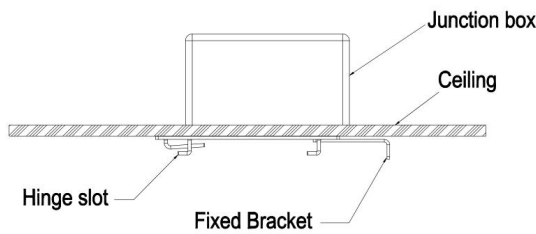
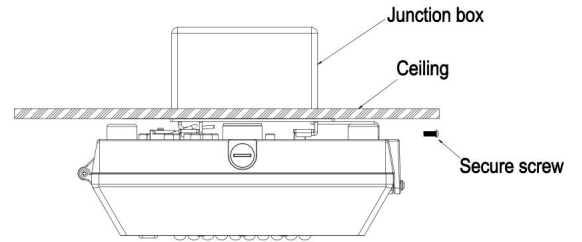


Figure (7)



## DLC PRODUCT ID

Wattage	CCT	Reported Lumens	Factory SKU	Product ID
20	4000	2,966	6CP20L40	P36FBPEA
20	5000	2,966	6CP20L50	P4FS9R2E
30	4000	4,000	6CP30L40	P2YLRYTP
30	5000	4,000	6CP30L50	P2KMZY7D
40	4000	5,787	6CP40L40	PX9YF5GF
40	5000	5,787	6CP40L50	PV5IY4QY
55	4000	8,446	6CP55L40	PECRV443
55	5000	8,446	6CP55L50	PJ11C19Z
80	4000	11,226	6CP80L40	PF9VVKID
80	5000	11,226	6CP80L50	PEJBETLG

Manufacturer: Green iNova Lighting Technology Ltd