

BLADE SQUARE

LED Facade Light



Applications: Building perimeters, bars & shopping malls, corporate offices building facades & entrances architectural

PERFORMANCE SUMMARY

The Blade Square Outdoor LED Facade Fitting is specifically conceived to illuminate facades and highlight architectural elements.

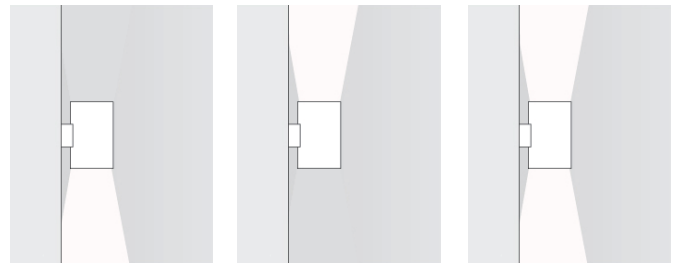
It's compact and minimal profile is designed to place emphasis on the building and not the fitting itself. Blade is fully customisable and comes in an exhaustive range of lamp colours and control options

Features

- Durable extruded heavy duty die cast aluminium housing
- Tempered glass lens
- Surface finished with a proprietary Akzo Nobel treatment, withstanding harsh weather conditions without cracking or peeling
- Available in narrow, medium beam and wide beam distribution options for precise optical control
- 20° angled adjustable mounting bracket
- Different body sizes for building, facade or general perimeter illumination applications
- Dimmable

Specification

Volts: 100-277VAC or 24VDC
 PF: >0.9
 Average Rated Life: 50,000hrs
 Environment Location: IP65
 CRI: >80
 Ambient temp: -4°F to 113°F



DISTRIBUTION



1
Up or Down



2
Up and Down

PRODUCT CODE

Example Blade Square 120V cat. 1.S.C04-1.15.3.80.B.M

Model No	Distribution	Body Size	Wattage (W)	Beam Angle	CCT (°K)	Ra	Housing Color	Accessories	
Blade Square 120V	1 - Up or Down	S ¹ - Small	C04.1 - 4W x1/420lm x1	15 - 15°	3 - 3000	80 - RA80	B - Black RAL9011	T - 15° tilt	
			C11.1 - 11W x1/1155lm x1	25 - 25°	4 - 4000			M - Marine resistance	
Blade Square 24V		M - Medium	C15.1 - 15W x1/1575lm x1	38 - 38°	5 - 5000		W - White RAL9016 G - Gray RAL7012 M - Mineral Bronze S - Silver RAL9006	DIM - 0-10V dimming	
			C11.1 - 11W x1/1155lm x1	45 - 45°				0 - None	
			C15.1 - 15W x1/1575lm x1	60 - 60°					
		L - Large	C20.1 - 20W x1/2100lm x1						
			C30.1 - 30W x1/3150lm x1						
			C20.1 - 20W x1/2100lm x1						
			C30.1 - 30W x1/3150lm x1						
			C40.1 - 40W x1/4200lm x1						

NOTES

¹0-10V dimming not available for small size



BLADE SQUARE

LED Facade Light

PRODUCT CODE

Example Blade Square 120V cat. 2.M.C15-2.25.3.80.B.M

Model No	Distribution	Body Size	Wattage (W)	Beam Angle	CCT (°K)	Ra	Housing Color	Accessories		
Blade Square 120V	2 - Up & Down	S ¹ - Small	C04-2 - 4W x2/420lm x2	15 - 15°	3 - 3000	80 - RA80	B - Black RAL9011	T - 20° tilt		
			C11.2 - 11W x2/1155lm x2	25 - 25°	4 - 4000			M - Marine resistance		
Blade Square 24V		M - Medium	C15.2 - 15W x2/1575lm x2	38 - 38°	5 - 5000	W - White RAL9016 G - Gray RAL7012 M - Mineral Bronze S - Silver RAL9006		DIM - 0-10V dimming		
			C11.2 - 11W x2/1155lm x2	45 - 45°	x°/x° Separate Up/Down Beam			SDIM - Separate Up/Down Dim		
			C15.2 - 15W x2/1575lm x2	60 - 60°				0 - None		
		C20.2 - 20W x2/2100lm x2								
		L - Large	C20.2 - 20W x2/2100lm x2							
			C30.2 - 30W x2/3150lm x2							
C40.2 - 40W x2/4200lm x2										

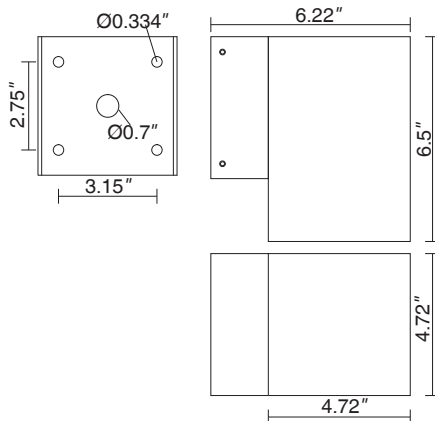
NOTES

¹0-10V dimming not available for small size

DIMENSIONS

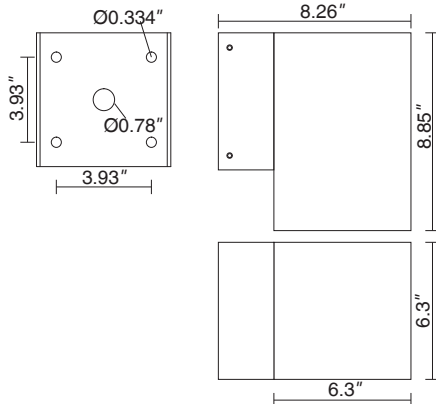
Up or Down/Small Body

Weight: 5.5lbs (2.5kg)



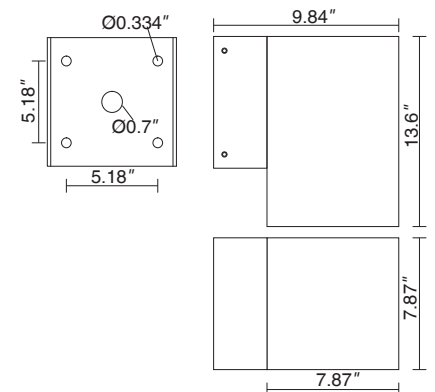
Up or Down/Medium Body

Weight: 9.5lbs (4.3kg)



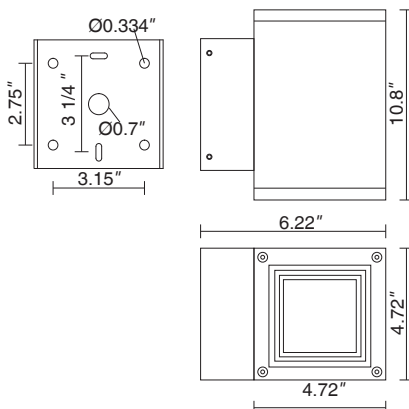
Up or Down/Large Body

Weight: 17.6lbs (8.0kg)



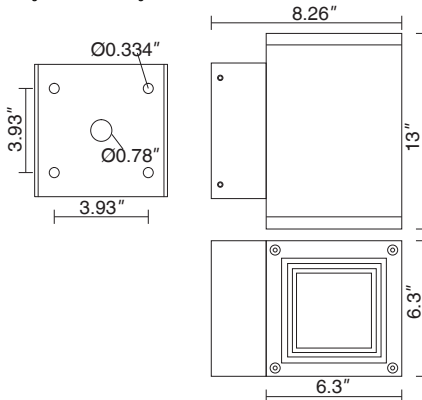
Up and Down/Small Body

Weight: 7.7lbs (3.5kg)



Up and Down/Medium Body

Weight: 11.9lbs (5.4kg)



Up and Down/Large Body

Weight: 25.4lbs (11.5kg)

