

BLADE

LED Facade Light



Applications: Building perimeters, bars & shopping malls, corporate offices building facades & entrances architectural

PERFORMANCE SUMMARY

The Blade Outdoor LED Facade Fitting is specifically conceived to illuminate facades and highlight architectural elements.

It's compact and minimal profile is designed to place emphasis on the building and not the fitting itself. Blade is fully customisable and comes in an exhaustive range of lamp colours and control options

Features

- Durable extruded die cast aluminium housing
- Tempered glass lens
- Surface finished with a proprietary Akzo Nobel treatment, withstanding harsh weather conditions without cracking or peeling
- Available in narrow, medium beam and wide beam distribution options for precise optical control
- 240V or 24V DC RGB colour changing option, with built in driver and interface to DMX decoding system
- 20° angled adjustable mounting bracket
- Different body sizes for building, facade or general perimeter illumination applications

Specification

Volts: AC100-277V or 24V DC
 Environment Location: IP65
 Average Rated Life: 50,000hrs
 CRI: RA80
 PF: > 0.9
 Ambient temp: -4°F to 113°F

PRODUCT CODE

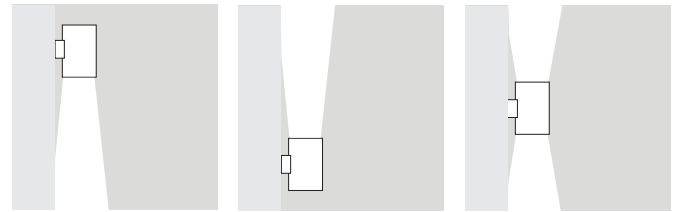
Example Blade 120V cat. 1.S.C24-1.38.4.80.W.T/DIM

Model No	Distribution	Body Size	Wattage (W)	Beam Angle	CCT ² (°K)	Ra	Housing Color	Accessories
Blade 120V	1 - Up or Down	S ¹ - Small	C04.1 - 4W x1/420lm x1	15 - 15°	3 - 3000	80 - RA80	B - Black RAL9011	T - 20° tilt
Blade 24V		M - Medium	C11.1 - 11W x1/1155lm x1 C24.1 - 24W x1/2520lm x1 C30.1 - 30W x1/3150lm x1	25 - 25° 38 - 38° 45 - 45° 60 - 60°	4 - 4000 5 - 5000 RGB - RGB	W - White RAL9016 G - Gray RAL7012	M - Marine Treatment DMX - DMX Decoder DIM ¹ - 0-10V Dimming	
		L - Large	C24.1 - 24W x1/2520lm x1 C30.1 - 30W x1/3150lm x1 C40.1 - 40W x1/4200lm x1		R - Red G - Green B - Blue	M - Mineral Bronze S - Silver RAL9006	0 - None	

NOTES

¹0-10V dimming not available for small

²RGB not available for 30/40W



DISTRIBUTION



1
Up or Down



2
Up and Down



BLADE

LED Facade Light

PRODUCT CODE

Example Blade 120V cat. 1.S.C24-1.38.4.80.W.T/DIM

Model No	Distribution	Body Size	Wattage (W)	Beam Angle	CCT ² (°K)	Ra	Housing Color	Accessories
Blade 120V	2 - Up & Down	S ¹ - Small	C04-2 - 4W x2/420lm x2	15 - 15°	3 - 3000	80 - RA80	B - Black RAL9011	T - 20° tilt
Blade 24V		M - Medium	C11.2 - 11W x2/1155lm x2	25 - 25°	4 - 4000		W - White RAL9016	M - Marine Treatment
			C24.2 - 24W x2/2520lm x2	38 - 38°	5 - 5000		G - Gray RAL7012	DMX - DMX
		L - Large	C30.2 - 30W x2/3150lm x2	45 - 45°	RGB - RGB			SDIM - Separate Up/Down Dim
			C24.2 - 24W x2/2520lm x2	60 - 60°	R - Red		M - Mineral Bronze	DIM ¹ - 0-10V Dimming
			C30.2 - 30W x2/3150lm x2	x°/x°	Separate Up/Down Beam	G - Green	S - Silver RAL9006	0 - None
			C40.2 - 40W x2/4200lm x2		B - Blue			

NOTES

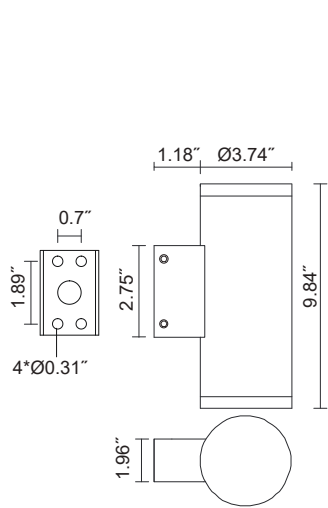
¹0-10V dimming not available for small

²RGB not available for 30/40W

DIMENSIONS

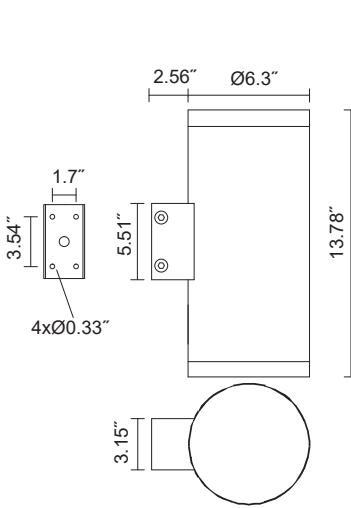
Up and Down/Small Body

Weight: 4.2lbs (1.9kg)



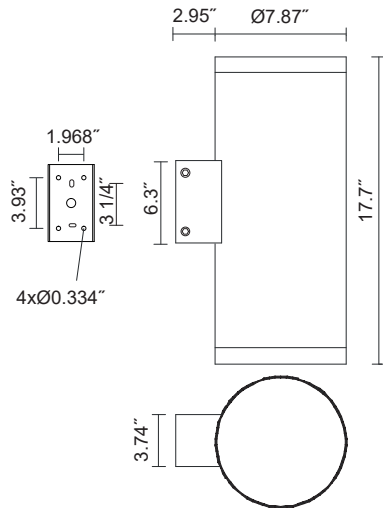
Up and Down/Medium Body

Weight: 11.0lbs (5.0kg)



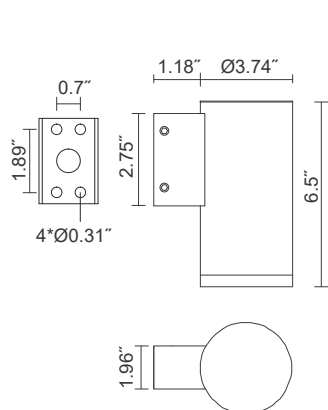
Up and Down/Large Body

Weight: 17.6lbs (8.0kg)



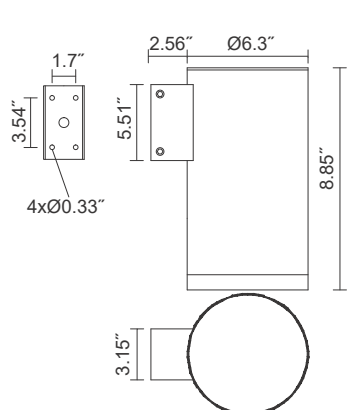
Up or Down/Small Body

Weight: 3.1lbs (1.4kg)



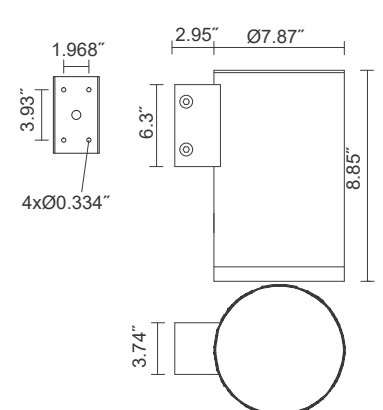
Up or Down/Medium Body

Weight: 7.9lbs (3.6kg)



Up or Down/Large Body

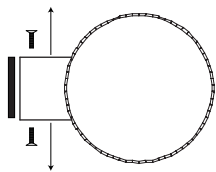
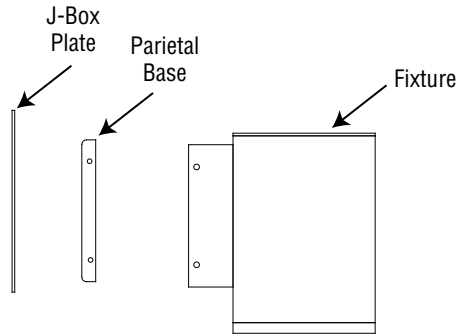
Weight: 10.4lbs (4.7kg)



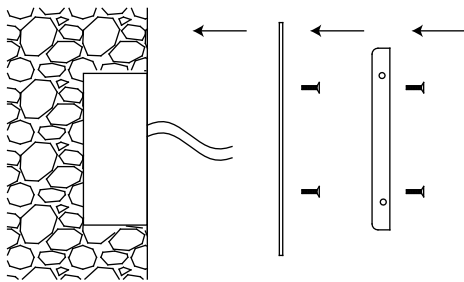
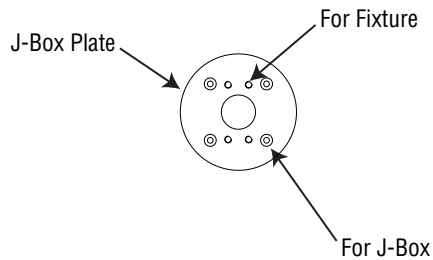
BLADE

LED Facade Light

INSTALLATION INSTRUCTIONS

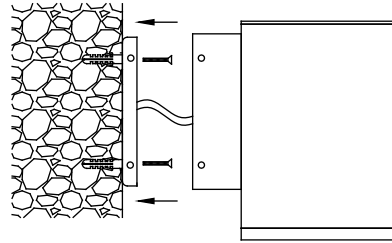


(1) Remove mounting plate from the fixture

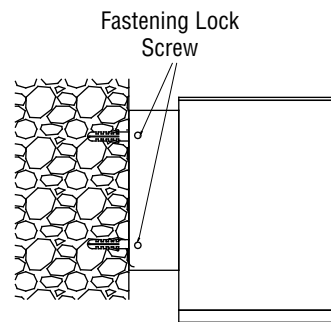


(2) Remove the pre prepared wiring out from the hole in middle of the mounting plate and fix the plate tightly on the wall

(3) Position fixture right way up as on the sticker attached



(4) Connect wiring to the mains power supply and fix housing to the mounting plate



(5) Fasten all screws tightly. The installation is complete

Safety

- The installation and disassembly must be operated by a professional electrician
- Prior to connection confirm input voltage is correct
- Switch off mains power during installation in case of electric shock.
- Install fixture in dry weather
- Joints must be waterproofed properly, recommended IP68 minimum
- Do not operate on a same circuit with HID fixtures or electric motors
- Not recommended for use in low-lying or permanent waterway areas. Any electrical joints to be higher than ground level
- Not recommended to be installed near seaside and corrosive chemical areas