

COMMODUS

LED Post Top Luminaire



Applications: Civic and government, outdoor area's, parks and pathways, pedestrian, urban environments

PERFORMANCE SUMMARY

The Commodus series has been designed to meet the aesthetic qualities desired in contemporary style, ultimately adding elegance and visibility to any outdoor setting.

With its multiple mounting choices the Commodus is perfect for retro-fit projects and can deliver a greater than 50% reduction in energy usage over traditional HID sources. The elegant clean lines compliments dayform architecture, while the state-of-the-art LED source provides high efficacy night time illumination

Construction

- Clean, smooth design blends harmoniously into outdoor environments
- Heavy duty IP65 rated injection die cast aluminium housing and cover
- UV stabilised polyester powdercoat finish for durability and corrosion resistance. Available in matt black (standard), bronze, or white finishes
- 5mm tempered glass lens
- Wall or pole mounting options both in bishop or outreach arm configurations

Optics

- Optical control delivers 4 distributions in type II, III, IV, V
- Engineered individual lenses made of optical grade polycarbonate for maximum light efficiency
- Dark sky friendly with minimal uplight of less than 5% total lumen output illuminating above 900mm

Electrical

- 120-277VAC
- Operating Temperature: -20°F to 113°F
- Philips SPD (10kV) built in surge protection device
- Class 1 dimmable electronic driver with PF > 90%, THD <20%, 50,000hrs servicable life with <1% failure rate
- Light engine mounted to a stainless steel heatsink ensuring optimal thermal management and long life

PRODUCT CODE

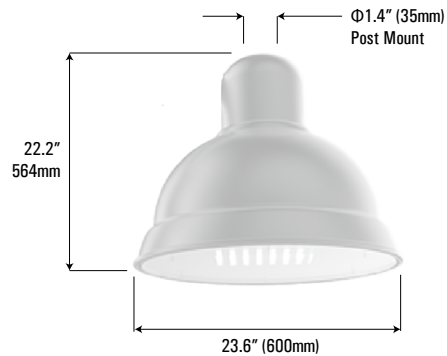
Example Commodus cat. 30.T3.35.PB.BL.0

Model No	Wattage (W)	Distribution	CCT (°K)	Mounting	Finish	Sensor
Commodus	30 - 30W/3,600 lms	T2 - Type 2	3 - 3000	SBP - Single Bishop Pole	BL - Matt Black	PE - Top Mount Photoelectric
	60 - 60W/7,200 lms	T3 - Type 3	35 - 3500	DBP - Double Bishop Pole	BR - Bronze	0 - None
	90 - 90W/10,800lms	T4 - Type 4	4 - 4000	SPO - Single Pole Outreach	W - White	
	150 - 150W/18,000 lms	T5 - Type 5	5 - 5000	DPO - Double Pole Outreach		
				AA - Outreach Arm Adaptor		
				SBW - Single Bishop Wall		
				SWO - Single Wall Outreach		
				0 - None		



Specification	
Lumen Package	3,600 - 18,000
Wattage Range	30 - 150
Efficacy	120
Weight lbs (kg)	26.0 (11.8) - 28.6 (13.0)

DIMENSIONS

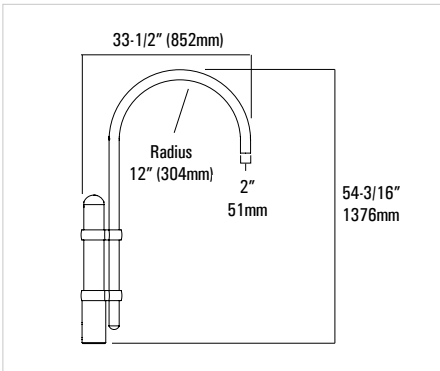


COMMODUS

LED Post Top Luminaire

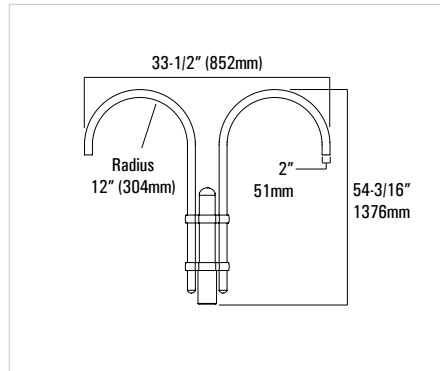
MOUNTING

Pole



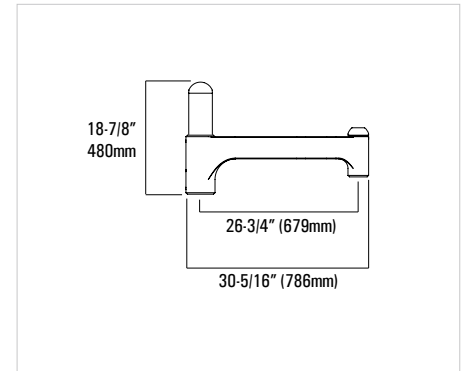
SINGLE BISHOP POLE MOUNT ARM

Slipfits over 4" round straight pole or 4" OD x 6" tall round tenon
Weight: 23lbs. EPA 0.88



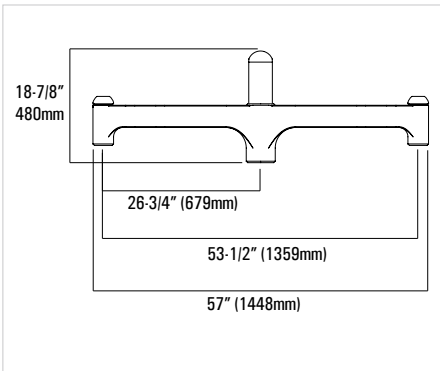
DOUBLE BISHOP POLE MOUNT ARM

Slipfits over 4" round straight pole or 4" OD x 6" tall round tenon
Weight: 36lbs. EPA 1.37



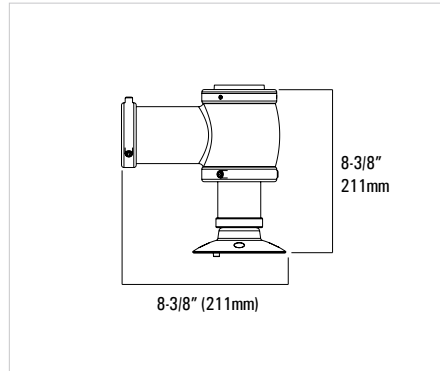
SINGLE POLE OUTREACH ARM

Slipfits over 4" round straight pole or 4" OD x 6" tall round tenon
Weight: 19lbs. EPA 0.84



DOUBLE POLE OUTREACH ARM

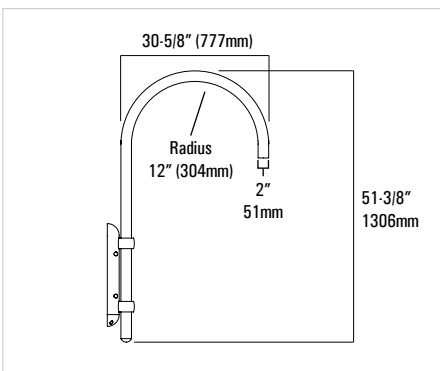
Slipfits over 4" round straight pole or 4" OD x 6" tall round tenon
Weight: 29lbs. EPA 1.42



OUTREACH ARM ADAPTOR

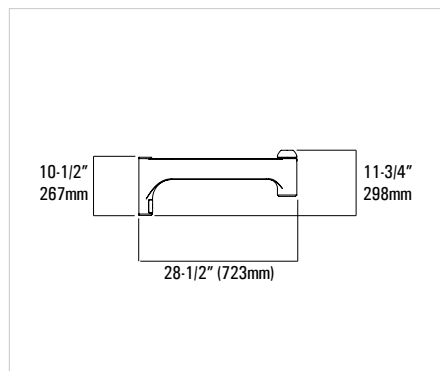
Slides over 2" outreach
2-3/8" ODI
Weight 3.6lbs.

Wall



SINGLE BISHOP WALL MOUNT ARM

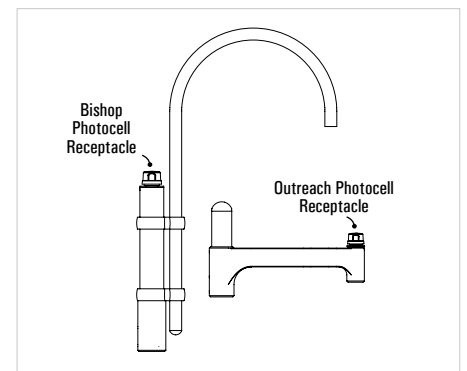
Mounts to wall with 4 no. heavy duty bolts provided by others
Weight: 17lbs



SINGLE WALL OUTREACH ARM

Mounts to wall with 4 no. heavy duty bolts provided by others
Weight: 16lbs

Sensors



PHOTOCELL RECEPTACLE

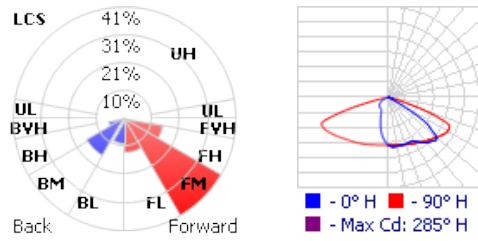
Factory fitted. Compatible only with bishop and single pole outreach

COMMODUS

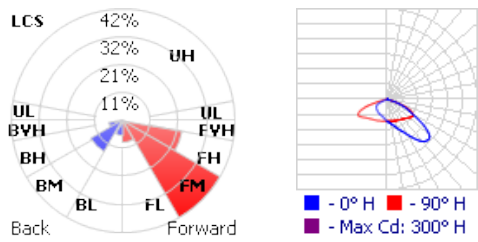
LED Post Top Luminaire

PHOTOMETRICS

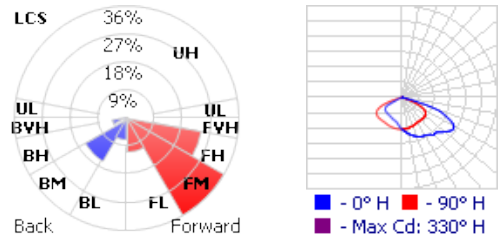
Type 2 (T2)



Type 3 (T3)



Type 4 (T4)



Type 5 (T5)

