

DOT DL

Slim Wafer LED Downlight



Applications: Ideal for closets, hallways, bathrooms, kitchens, basements, soffits, entry ways, porches, stairwells, corridors, multi-family, and commercial applications

PERFORMANCE SUMMARY

The Sunled DOT DL Series LED Downlights provide high-quality CRI 80+ light output and efficiency featuring interchangeable finish trims in both square and round, blending harmoniously into any architectural space

Their slimline design allows easy installation from below the ceiling as the perfect choice when you have limited cavity space or trying to minimize cabling. They are wet location listed, making them ideal for use in a multitude of outdoor residential, hospitality, light commercial and multiuse applications.

Construction

- 1" Thin: Fits in tight ceiling space
- IP40 suitable for damp locations
- Snap-in mounting springs and easy wiring access for fast and easy installation saving labour costs
- Airtight and type IC rated: No housing required
- Junction box included: No additional hardware required
- Ceiling penetration of 4"/6"/8"

Optical

- Comfortable opal diffuser eliminates dark spots and provides uniform illumination
- High performance CRI80+ LEDs, up to 50,000hr

Electrical

- Featuring tunable white color temperature: 3000K, 4000K and 5000K
- Energy star compliant flicker free driver
- Dimmable to 5% with most Lutron and Leviton 0-10V dimmers
- Overload/short circuit protection

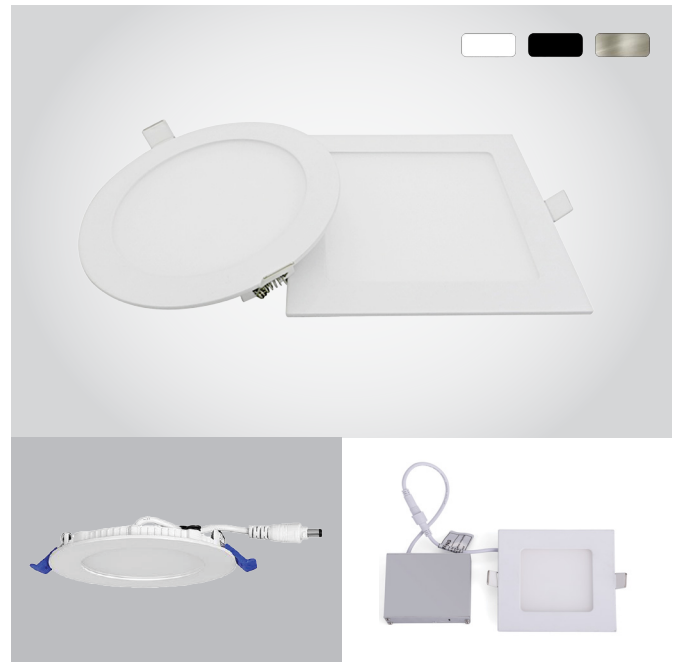
Specification

Volts: AC100-130V
 Average Rated Life: L70/50,000hrs
 CRI: RA80
 Beam Angle: 110°
 Environment Location: IP40
 Ambient Temp: -22°F to 122°F
 Dimming: 0-10V
 PF: > 0.9

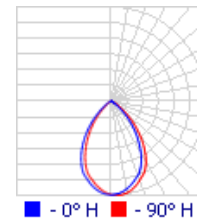
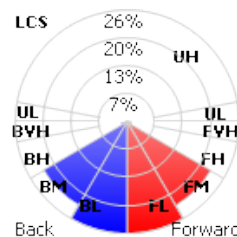
PRODUCT CODE

Example Dot DL cat. 10.4.345.80.W.EM

Model No	Max Wattage (W)/ Lumens	Diameter (")	CCT (°K)	Ra	Trim	Control
Dot DL	10 - 10W/700Lm	4 - 4"	345 - CCT Changeable	80 - RA80	W - White	DIM - 0-10v Dimmable
	12 - 12W/900Lm	6 - 6"	3000/4000/5000		B - Black	EM - Emergency Battery Backup
	18 - 18W/1350Lm	8 - 8"	3 - 4000		S - Brushed Nickel	0 - None
			5 - 5000			



PHOTOMETRICS

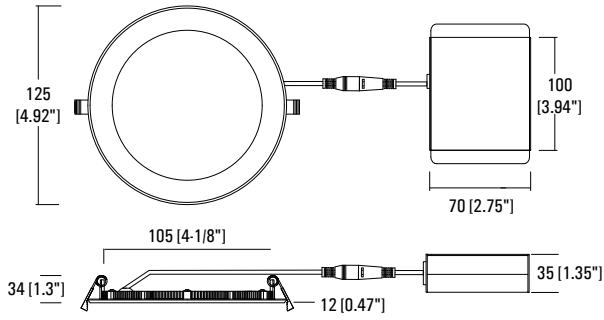


DOT DL

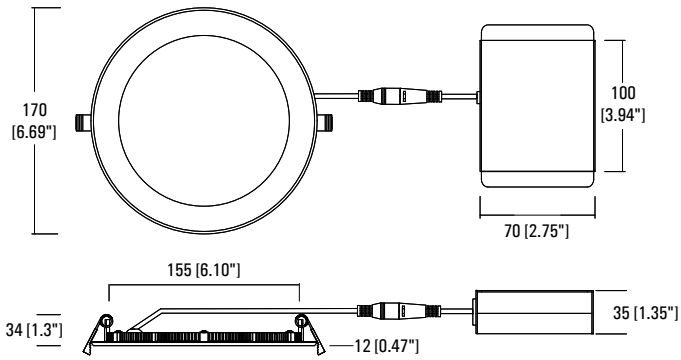
Slim Wafer LED Downlight

DIMENSIONS

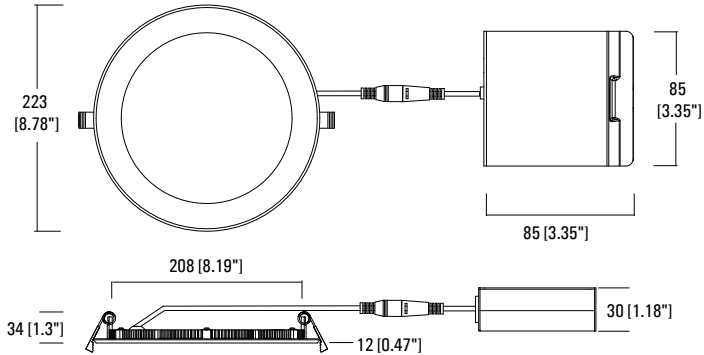
Round—4"/9W



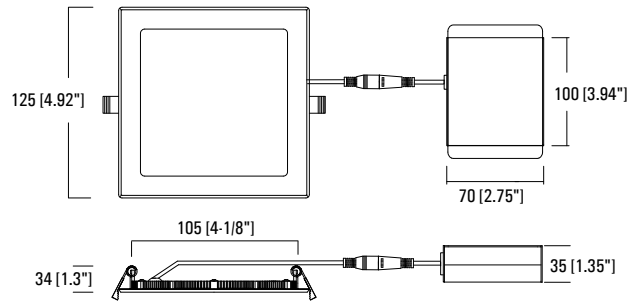
Round—6"/12W



Round—8"/18W



Square—4"/9W



Square—6"/12W

