

WARDEN

LED Exit Sign



Applications: Offices, classrooms, healthcare, hospitality, retail, industrial or manufacturing

PERFORMANCE SUMMARY

The Sunled Warden Series is compact low profile remote LED exit sign featuring a premium fire rated construction, clean elegant lines and aesthetic application that enhance any building décor.

Ideal for everyday signage applications requiring elegant finishes and low energy consumption it offers unsurpassed flexibility in commercial, industrial or institutional applications. The emergency power provides 90 minutes of illumination in an event of power loss

Construction

- High grade injection moulded thermoplastic ABS housing
- 6" letter height with 3/4" stroke
- Field selectable chevron indicator inserts
- Single or double sided faceplate with universal j box mounting pattern
- Universal wall, sloped or standard ceiling mount
- Fire resistant UL-94V-0 NFPA flame retardant housing

Electrical

- High output internal LED COB
- Built in 1.2V 1000mAh Ni-MH battery for 90 minutes emergency operation
- Test switch and charge indicator lamp
- Dual voltage input 120/277 VAC, 50/60Hz
- Red or green lettered illumination

Specification

Volts: 120/277VAC 50/60Hz
Average Rated Life: 50,000hrs
Environment Location: Damp Rated
Ambient Temp: 32°F to 104°F
Power Consumption: 4.0W Max
Battery: Nickel Cadmium
Discharge Time: 90mins



ORDERING CODE

EM-WAR cat. U D 12

EM-WAR Life Safety Series

EM-WAR Exit Sign

Face

L Lettered

P Pictorial

Illumination Color

R Red

G Green

U Installation

U Universal Housing

D Voltage

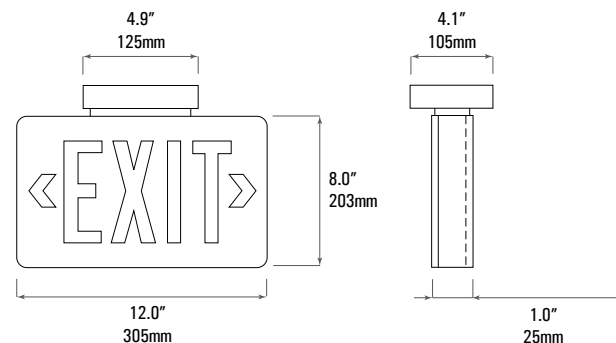
D Dual Voltage 120/277VAC 60Hz

12 Battery

12 1.2V 1000mAh 90min

DIMENSION

Weight (May vary with accessories)
5.0lbs (2.3kg)



WARDEN

LED Exit Sign

Battery

The Warden is fitted standard with a 1.2V 1000mAh NiMH internal battery that provides emergency backup power at full brightness for a minimum of 90 min. Full recharge time in 24 hours

Housing

Fixture housing is constructed of injection molded specification grade UV stabilized UL94 V-0 ABS thermoplastic. Lettering is 6" high with 3/4" stroke on standard white background

Illumination

The unit is illuminated using a high output LED COB with an energy consumption of 4W

Electrical Components

Dual voltage input 120/277 VAC operation. LED display indicates AC on with external push button to determine the operational status of the unit.

Installation

The universal housing is suitable for wall, sloped or standard ceiling installation with top mount canopy included. Snap on constructions allows quick and easy installation Field adjustable chevron inserts, double sided face and installation hardware included

FACES



P
Pictorial



L
Lettered