

# HIEYE RED

High Ambient Temperature Highbay



**Applications:** Manufacturing, foundries, natatoriums, gymnasium, automotive manufacturing, packaging and cold storage

## PERFORMANCE SUMMARY

The HiEye Red Series efficient round high bay, is designed to operate safely and reliably in a wide variety of industrial applications where higher ambient performance is required — even in the worst operating conditions. Its heavy-duty diecast aluminum body provides durability, optimal thermal control, and longer system life.

It is an ideal high bay line for use in heavy industry, manufacturing, cold storage, large indoor and sports/recreation.

## Construction

- Tempered glass lens provide high-impact strength and IP65-rated optics withstanding dust and dirt, resistant to hard chemicals and other degrading elements
- Aerodynamic driver housing promotes natural airflow to move heat away from vital electrical components
- Heat dissipating fins and a unique hollow center flow-through convection system, pull heat off both the optics and driving housing
- Pendant, hook and adjustable ceiling bracket mounting options
- Single point mounting configuration for fast installation and simplified replacement of fluorescent and HID fixtures

## Optics

- Full brightness light levels at ambient temperatures as high as 149°F
- Exceptional operating efficiency of 160lm/W
- High output Nichia 3030 Series LED COB
- 4kV line-line, 6kV line-earth surge protection
- Delivered lighting output from 16,000 to 32,000 lumens provide one for one replacement of up to 1000W HID saving up to 50% in Energy
- DLC Premium 5.1 qualified product for maximum rebates

## Specification

Volts: AC120-277/277-480V  
 Rated Life Ta 25°C: 152,000hrs/L80  
 Dimming: 0-10V  
 Environment Location: IP65  
 PF: > 0.92 CRI: RA80  
 Ambient temp: -22°F to 149°F  
 Surge: 2kV line-line, 4kV line-earth

## PRODUCT CODE

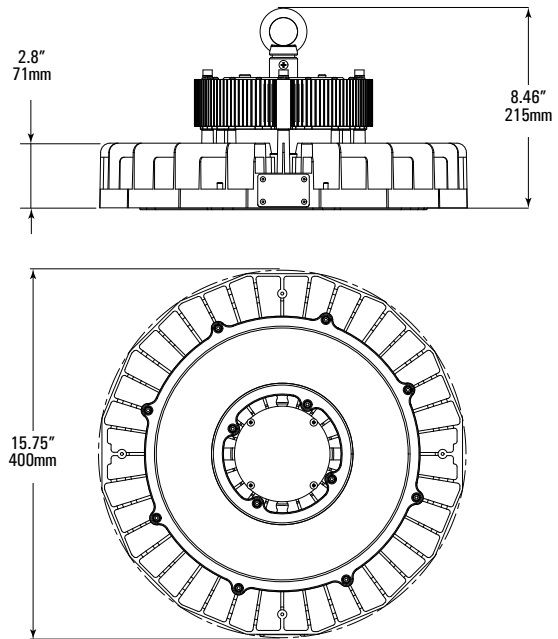
Example HiEye Red 120 cat. 100.4.12.ALU.PD.EM

Model	Wattage	CCT (°K)	Beam Angle	Options	Mount	Control
HiEye Red 120 100-277V	100 - 100W/16,000 lms	3 - 3000	12 - 120°	ALU - 90° Aluminium Reflector	PD - Pendant YK - Yoke	EM - Emergency Battery Backup, 2000lm/90min
HiEye Red 400 277-480V	150 - 150W/24,000 lms 200 - 200W/32,000 lms	4 - 4000 5 - 5000		TP - Tempered Glass Lens C - Chain O - None		0 - None



## DIMENSIONS

Weight (May vary with accessories)  
 19.6 ± 0.7lbs (8.9 ± 0.3kg)



# HIEYE RED

High Ambient Temperature Highbay

## AMBIENT TEMPERATURE RATINGS

	Operating (°C) <sup>1</sup>	Rise (°C)	Operating (°C) <sup>2</sup>	Rise (°C)	Tmax (°C)
LED COB Point 1	50.1	+22.2	83.8	+19.2	105
LED COB Point 2	50.1	+23.1	84.2	+19.7	105
LED COB Point 3	53.6	+25.7	<b>86.6</b>	+22.0	<b>105</b>
LED COB Point 4	52.7	+24.9	85.5	+20.9	105
Wiring	48.5	+20.6	81.0	+16.5	ref
Driver Internal	49.7	+21.8	<b>84.3</b>	+19.7	<b>90</b>
Driver Tc Case	48.9	+21.0	<b>83.3</b>	+18.8	<b>90</b>
Housing Point 1	47.5	+19.6	80.6	+16.0	–
Housing Point 2	45.1	+17.2	78.1	+13.5	–

<sup>1</sup>28°C (82.4°F) Ambient    <sup>2</sup>65°C (149°F) Ambient

## LUMEN MAINTENANCE

Time (hrs)	Rating <sup>1</sup>
0	100.0%
542	99.3%
1010	99.5%
1699	99.5%
2372	99.4%
3124	99.1%
3812	99.0%
4520	98.8%
5185	98.9%
6019	98.9%
6780	98.6%
7577	98.6%
8411	98.4%
9239	98.0%
10074	97.7%

<sup>1</sup>Tc 55°C (131°F)

Time (hrs)	Rating <sup>2</sup>
0	100.0%
542	98.5%
1010	98.4%
1699	98.2%
2372	97.9%
3124	97.6%
3812	97.6%
4520	97.3%
5185	97.2%
6019	97.2%
6780	96.8%
7577	96.8%
8411	96.5%
9239	96.1%
10074	95.9%

<sup>2</sup>Tc 85°C (185°F)

Time (hrs)	Rating <sup>3</sup>
0	100.0%
542	97.5%
1010	97.0%
1699	96.4%
2372	95.8%
3124	95.4%
3812	95.2%
4520	94.8%
5185	94.6%
6019	94.5%
6780	94.1%
7577	94.0%
8411	93.7%
9239	93.2%
10074	93.0%

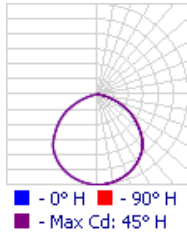
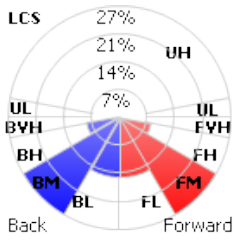
<sup>3</sup>Tc 105°C (221°F)



# HIEYE RED

High Ambient Temperature Highbay

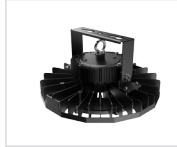
## PHOTOMETRICS



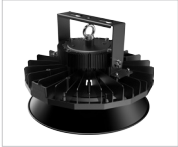
## OPTIONS



**PD**  
Pendant  
Mount



**YK**  
Yoke  
Mount



**ALU**  
90°  
Aluminium  
Reflector



**TP**  
Tempered  
Glass Lens



**C**  
Chain  
Suspended