

# HISKY LF

LED Linear Highbay Luminaire



**Applications:** Athletics facilities, retail, manufacturing, warehouses, hangars civic

## PERFORMANCE SUMMARY

Offering multiple packages from 12,200 to 48,000 lumens covering mounting heights from 12 to 30+ feet, the LF Series is the ideal solution for warehouses, gymnasiums, light manufacturing and open spaces where temperatures reach up to 131°F.

For high-bay spaces, Sunled's HiSky LF Series Linear High-Bay luminaire creates a safe, productive and appealing environment with outstanding efficacy, reliability and lifetime performance.

## Construction

- Compact, die cast aluminium construction and light weight body
- Solid aluminium channel design for superior thermal performance even in warm ambient conditions
- Contractor friendly design reduces installation time and labor costs
- Separate optical and electrical compartment for improved thermal management and increased operational life.
- Aircraft cable included as standard with pendant and surface mount options available

## Optical

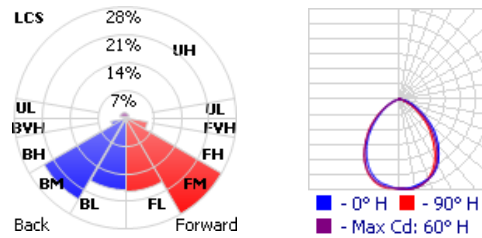
- Engineered optics provide uniformity and optimal UGR for comfortable illumination and increased spacings
- Exceptional 140Lm/W operating efficiency

## Electrical

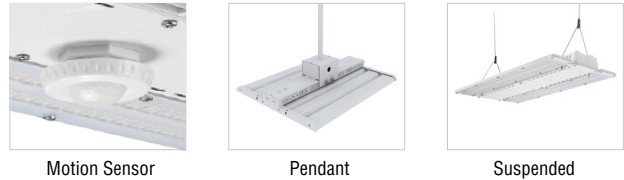
- Equipped with integral motion sensors and dimmable daylight control for optimal energy savings
- High-performance driver features over-voltage, under-voltage, short-circuit and over temperature protection



## PHOTOMETRICS



## ACCESSORIES



## PRODUCT CODE

Example HiSky LF 120 cat. 180.0.4.S.0

Model No	Voltage	Wattage (W)	Sensor	CCT (°K)	Mounting	Control
HiSky LF	120 - 120-277V	90 - 90W/12,200 lms	PC - Photocell	4 - 4000	S - Surface	EM - Emergency Battery Backup
	480 - 347-480V	105 - 105W/14,300 lms	MS - Motion Sensor	5 - 5000	SS - Suspended	0 - None
		130 - 130W/18,200 lms			R - Rod	
		180 - 180W/24,200 lms				
		210 - 210W/30,000 lms				
		260 - 260W/36,400 lms				
		360 - 360W/48,500 lms				
420 - 420W/60,000 lms						



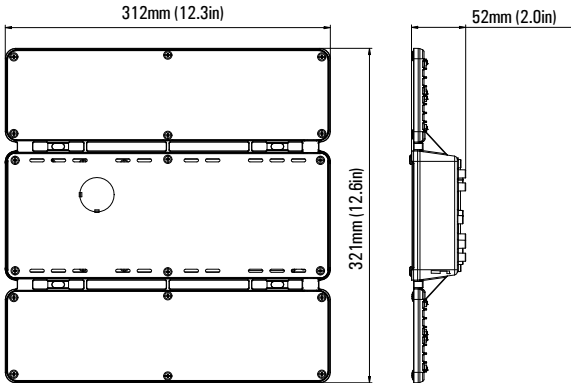
# HISKY LF

LED Linear Highbay Luminaire

## DIMENSIONS

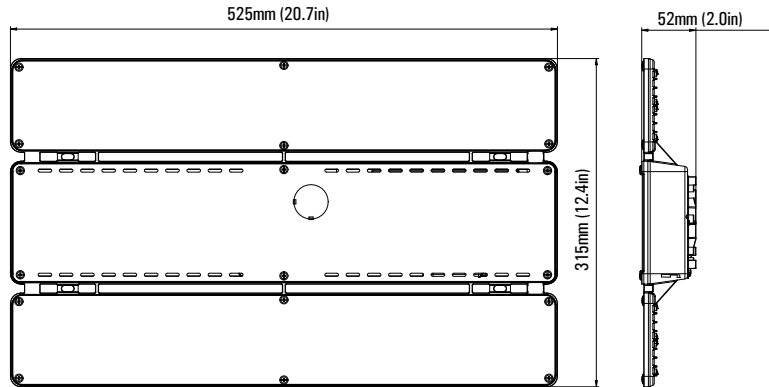
### 90W/105W/130W

Weight (May vary with accessories)  
4.0lbs (1.8kg)



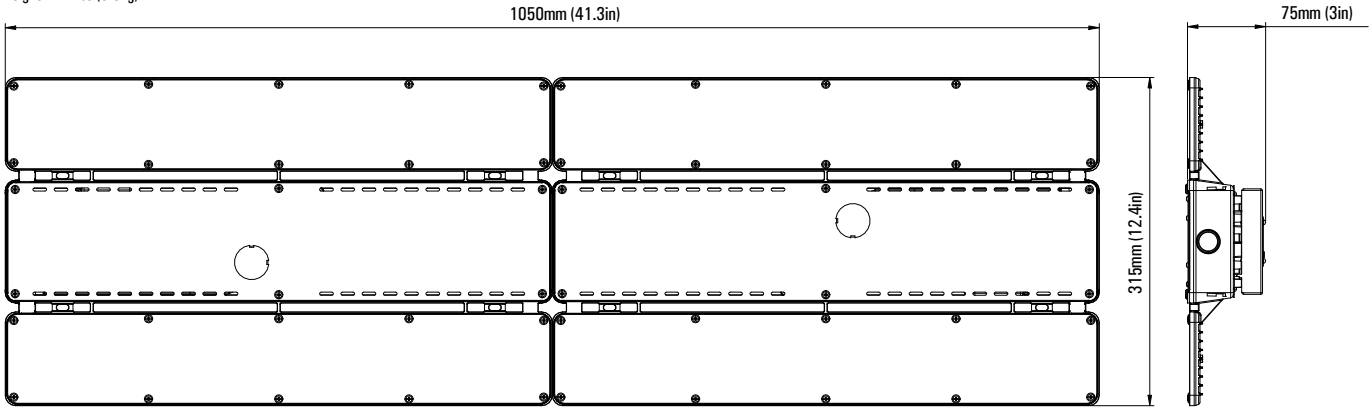
### 180/210W

Weight 7.0lbs (3.2kg)



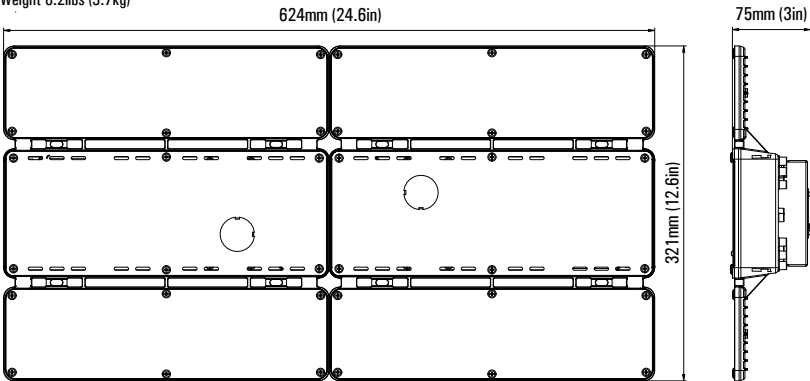
### 360/420W

Weight 14.4lbs (6.5kg)



### 260W

Weight 8.2lbs (3.7kg)



# HORNET

Sports Lighting Luminaire

## ELECTRICAL LOAD

SYSTEM WATTAGE	120V	208V	240V	277V	347V	480V
90W	0.75A	0.43A	0.38A	0.32A	0.26A	0.19A
105W	1.14A	1.98A	2.29A	2.64A	3.30A	4.57A
130W	1.08A	0.63A	0.54A	0.47A	0.37A	0.27A
180W	1.50A	0.87A	0.75A	0.65A	0.52A	0.38A
210W	1.75A	1.01A	0.88A	0.76A	0.61A	0.44A

## SPECIFICATION

ITEM	DETAILS
Input Voltage	AC120-277/277-480VAC
Average Rated Life	100,000hrs IES LM-70
Environment Location	Damp Location
Operating Temperature	-40°F to 131°F
Dimming	0-10V Standard
THD	<20%
Power Factor	>90%

## DAYLIGHT/MOTION SENSOR (DM)

### Specification

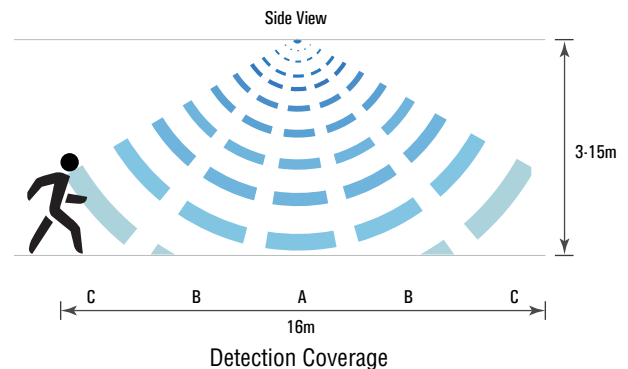
- Automatic switching or dimming when used in combination with 1-10V dimmable LED drivers
- Built-in daylight sensor.
- 1-10V interface can match up with stand-alone daylight sensor and achieve daylight harvesting.
- Compact size
- Detection area, time delay and daylight threshold can be precisely set via DIP switch.
- Wide detection area, range up to 16m in diameter.
- Support higher mounting height 15m Max.
- Optional surface mounting and base mounting

## Detection Area

Detection area can be reduced by selecting the combination on the DIP switches to fit precisely each application

The function of linear high bay light with motion sensor is default as the following at delivery:

- Sensitivity: 75%;
- Full brightness time delay: 5MIN;
- Light sensation: 50LUX;
- Dimming brightness: 30%
- Low brightness time: 30 MIN;



## Daylight Sensor

The linear high bay light with motion sensor which utilizes Doppler shift phenomenon to sense motion, Using the most popular 5.8GHz ISM band with high reliability, it won't be affected by noise, temperature, humidity. The detection signal can penetrate plastic, glass, wood panel and other thin non-metallic objects.

When integrated with an internal dimming system of the fixture, the light will only be switched on with insufficient ambient light. The application function can be conveniently set via remote control.

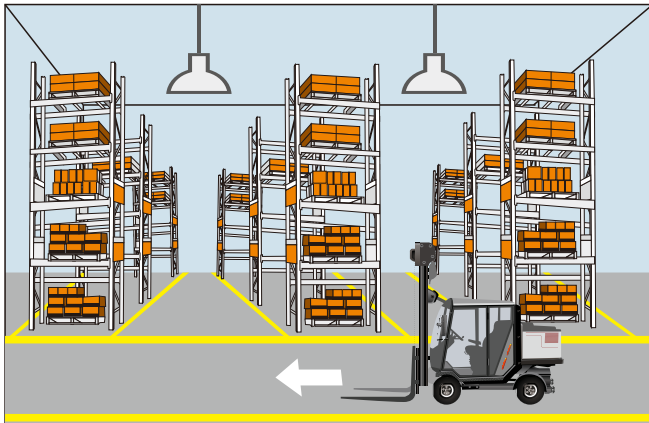
When set to Disable mode, the daylight sensor will switch on the lamp when motion is detected regardless of ambient light level. 50lux, 30lux: twilight operation, 10lux, 5lux: darkness operation only. Note that daylight sensor is active only when lamp totally switches off.

## Stand-by period

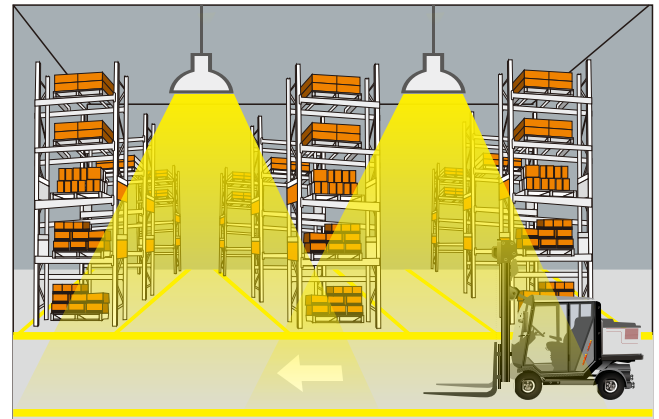
Refers to the time period the lamp remains at a low light level before it completely switches off in the long absence of people. When set to standby mode, the low light is maintained until motion is detected.

# HISKY LF

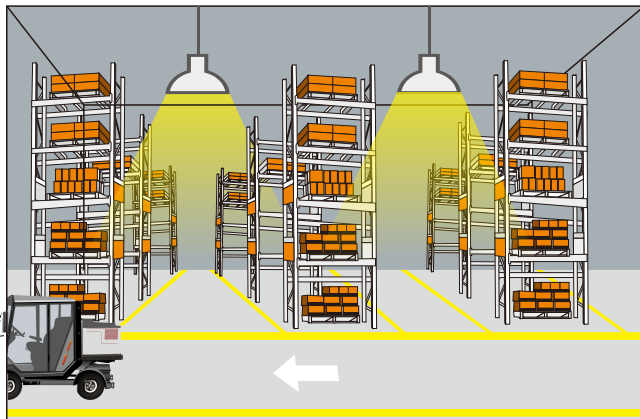
LED Linear Highbay Luminaire



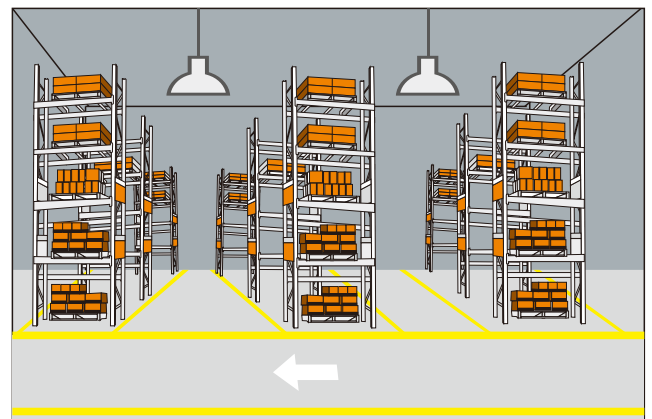
With sufficient ambient light, the lamp does not switch on.



With insufficient ambient light, the lamp switches on when motion is detected.



After hold time, the lamp dims to a low light level if no new motion trigger.



After stand-by period, the lamp switches off if no motion is detected in its detection zone.