

# RAZORLITE

Low Profile Wallpack Light



**Applications:** Walkways, building entrances, industrial, multiuse facilities, perimeter and parking areas, schools and institutions, storage facilities, loading docks

## PERFORMANCE SUMMARY

The Razorlite wall luminaire is ideal for wall/surface, post/bollard or low level pathway illumination including stairs.

The low-profile, rugged die-cast aluminum construction, universal back box, stainless steel hardware along with a sealed and gasketed optical compartment make the Razorlite resistant to contaminants.

The Razorlite LED wall pack series of luminaires provides an architectural style with super bright, energy efficient LEDs.

## Features

- Slim low profile LED design, heavy duty construction
- Built in mounting level
- High impact polyester housing and polycarbonate diffuser with IP65 weather protection rating
- Wall, surface, post, bollard or low-level mounting
- Easy installation using a galvanised wall plate mounting directly to a junction box or 1/2" bottom entry conduit
- One piece aluminium backbox with hinged removable door
- Weather sealed LED chamber provides 3600 to 12,000 lumens at neutral 4000°K
- 30-100W refractive lens

## Specification

Volts: AC100-277V  
 Average Rated Life: 50,000hrs  
 CRI: RA80  
 Beam Angle: 120°  
 Weight: 4.2-10.6kgs  
 Environment Location: IP65  
 Ambient Temp: -4°F to 122°F

## PRODUCT CODE

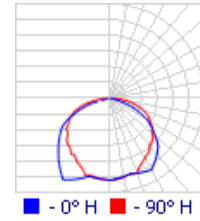
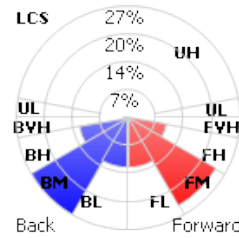
Example Razorlite cat. 30.30.BR.12.0

Model No	Wattage	Color Temperature (°K)	Finish	Distribution	Options
Razorlite	30 - 30W/3,600lms	30 - 3000	BR - Bronze	12- 120°	0 - None
	50 - 50W/6,000lms	40 - 4000	BL - Black		DIM - 0-10V Dimmable
	70 - 70W/8,400lms	50 - 5000			PC - Photocell
	80 - 80W/9,600lms	57 - 5700			APC - Adjustable Photocell
	100 - 100W/12,000lms				PC - Photocell



## PHOTOMETRICS

120°



## Options



**APC**  
Adjustable Photocell



**PC**  
Photocell

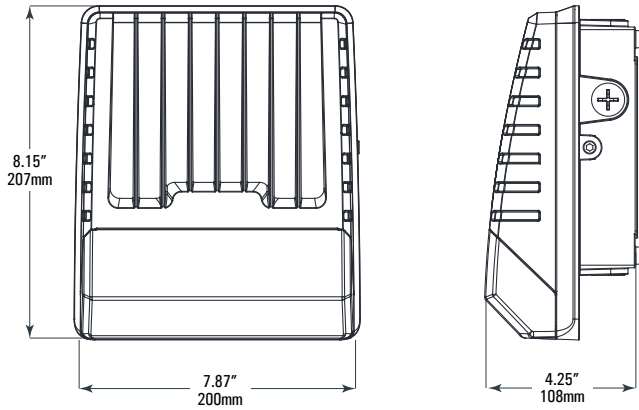


# RAZORLITE

Low Profile Wallpack Light

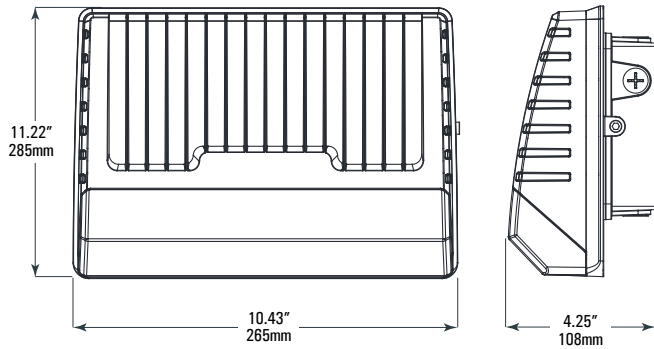
## DIMENSIONS

### 30/50W



Weight (May vary with accessories)  
30/50W: 4.2lbs (1.9kg)

### 70/80/100W



Weight  
70/80/100W: 10.3lbs (4.7kg)