

SOLACE MOD/2

Louver LED Bollard



Applications: Corporate offices, civic and government, education and healthcare, parks and pathway, urban environments

PERFORMANCE SUMMARY

The Solace Mod/2 Series Bollard comes in a wide range of colours, and directs light to the ground giving a comfortable, well-defined beam. This sleek and stylish bollard combines a classic shape with outstanding performances.

Features

- State of the art driver provides unsurpassed system efficiency, control and protection.
- Corrosion and shock resistant die cast aluminium housing
- Available in high power model up to 6000 lms
- 360° distribution
- Lower housing one piece, heavy walled, extruded die cast thick aluminium for added vandal resistance.
- Finished in proprietary powdercoat process withstanding extreme weather changes without cracking or peeling

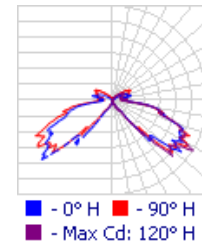
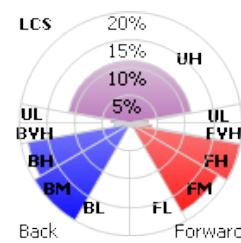
Specification

Volts: AC100-277V
 Environment Location: IP65
 Average Rated Life: 50,000
 CRI: RA80
 Weight: 24.9lbs
 Ambient temp: -4°F to 113°F



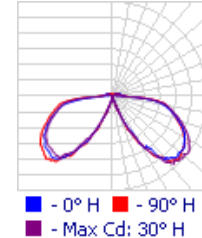
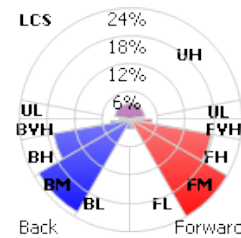
PHOTOMETRICS

Mod/2A (Louver)



■ - 0° H ■ - 90° H
 ■ - Max Cd: 120° H

Mod/2B (Reflector)



■ - 0° H ■ - 90° H
 ■ - Max Cd: 30° H

PRODUCT CODE

Example Solace Mod/2A cat. 25FT3LB

Model No	Mod	Wattage	Top	Color Temperature (°K)	Finish
Solace	2A - Louver Lens	25 - 25W/1750lms	FT - Flat Top	3 - 3000	LB - Light Black (RAL7016)
		35 - 35W/2450lms	DT - Dome Top	4 - 4000	
	2B - Reflector Lens	25 - 25W/2500lms		5 - 5000	DB - Dark Black (RAL9005)
		35 - 35W/3500lms		6 - 6000	
		50 - 50W/5000lms			
		60 - 60W/6000lms			

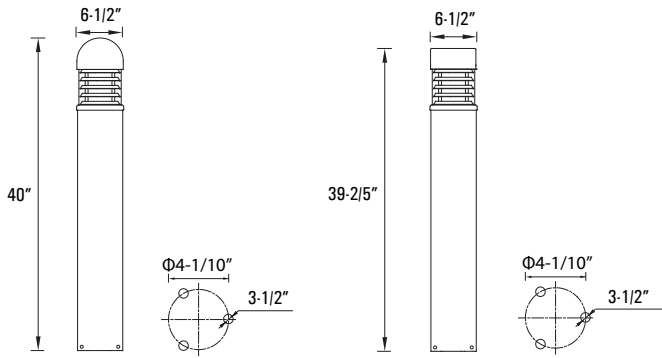


SOLACE MOD/2

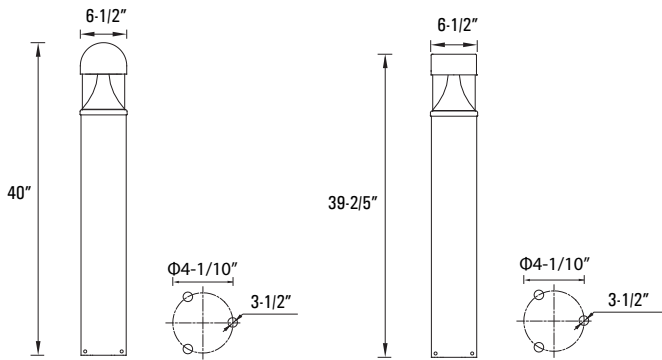
Louver LED Bollard

DIMENSIONS

Solace Mod/2A



Solace Mod/2B



ANCHOR BOLT DETAIL

