

SPIROS

Linear Inground Uplight



Applications: Building perimeters, bars & shopping malls, corporate offices building facades & entrances architectural

PERFORMANCE SUMMARY

A small-sized modular lighting system, ideal for path lights and to enhance facades and buildings. Suitable for recessing, the Sunled Spiros range can be combined with the Lineo wall-mount model to meet any lighting design requirements.

Features

- 2/5" thick silkscreen-printed tempered glass screen, resistant to thermal shock
- 230lbs static load rating
- Durable extruded die cast aluminium housing
- IP67 rating one piece silicon gasket
- Elegant marine grade stainless steel trim
- 120V or 24V DC RGBW colour changing option, with internal DMX decoding system
- Available in a multitude of distributions for precise optical control
- 15° manual tilt lens option

Specification

Volts: AC120-277V
 Average Rated Life: 90,000hrs
 CRI: RA80
 Environment Location: IP67
 PF: > 0.95
 Ambient Temp: -4°F to 113°F
 Touch Temp: < 113°F

Benefits

- Maximum flexibility with a wide range of beam types, optics and lengths
- Perfect for creating customised lighting design solutions
- Load rating allows for installation in areas with foot traffic

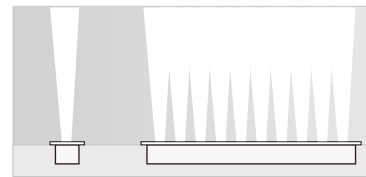
PRODUCT CODE

Example Spiros Cat. C14.3.80.45.S4.M

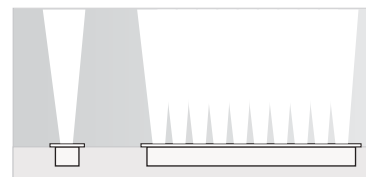
| Model No | Wattage (W) | CCT (K) | Ra | Beam Angle | Cover Frame | Accessories |
|----------|---------------------|------------------|-----------|-----------------------------|-----------------------------|----------------------|
| Spiros | C14 - 14W 1363Lm | 3 - 3000 | 80 - RA80 | 05 - 5° | S4 - 304 Stainless Steel | T - 15° Tilt to Wall |
| | | 4 - 4000 | | 15 - 15° | | L - Linkable |
| | C28 - 28W 2534Lm | 6 - 6000 | 25 - 25° | S6 - 316 Stainless Steel | M - Marine Resistance | |
| | | R - Red | 45 - 45° | | DIM - 0-10V Dimming | |
| | | G - Green | 60 - 60° | | DMX - DMX Decoder | |
| | B - Blue | 6010 - H60°xV10° | O - None | | | |
| | RGBW - RGBW | | | | | |



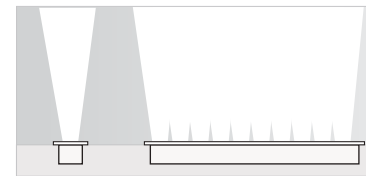
DISTRIBUTION



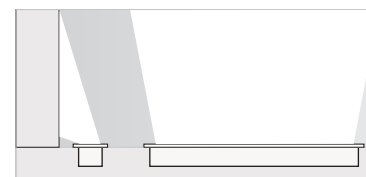
5°



15°



45°



60°x10°



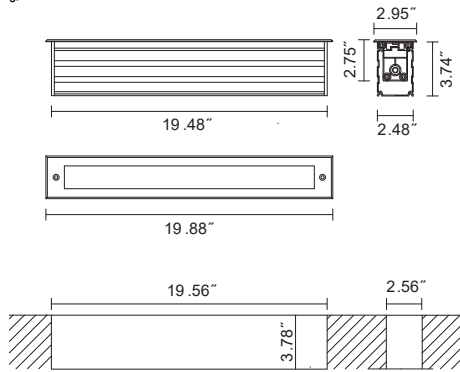
SPIROS

Linear Inground Uplight

DIMENSIONS

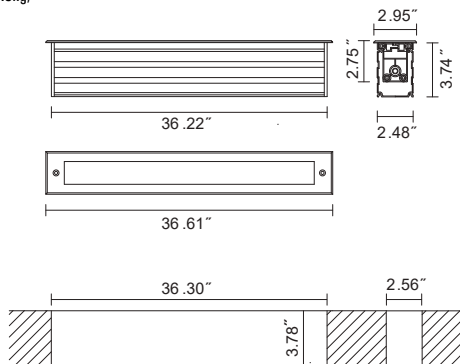
Spiros C14

Weight: 7.7lbs (3.5kg)



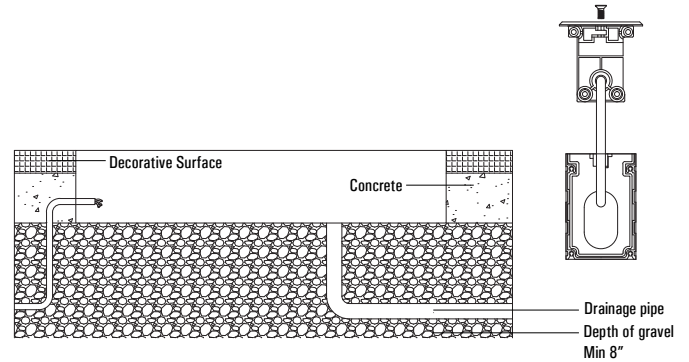
Spiros C28

Weight: 14.3lbs (6.5kg)



INSTALLATION INSTRUCTIONS

- (1) Open the carton, remove the fixture, ground box and installation accessories
- (2) Terminate cord to mains power connection with minimum IP68 waterproof connector
- (3) Power on to test operation
- (4) Pre dig a hole and place the ground box inside. Secure the fixture tightly to the box with provided screws
- (5) Installation may vary with alternate product specifications



Safety

- The entire installation must be completed by a professional electrician.
- Check the input voltage carefully before power on.
- This product can only be installed in dry weather
- Do not remove or replace original parts which may cause water leakage and void the warranty
- Replace glass lens immediately if it is broken
- Do not install in close proximity to pool or water areas
- Mounting box must be at ground level
- Switch off mains power during installation in case of electric shock.
- IP68 cable joints recommended as minimum
- Do not operate on same circuit with HID fixtures or electric motors
- The product is not recommended in close proximity to seaside areas or environments with high corrosion elements without factory marine resistant coating