

# STELLAR HP

High Output Flood/Area Luminaire



**Applications:** High-mast, flood, campuses, sports facilities, stadiums, automotive dealerships, parking lots, general site lighting

## PERFORMANCE SUMMARY

The Stellar HP family from Sunled is designed for illuminating large areas that require precise beam control. The Stellar HP high output area luminaire redefines the compromises of high output illumination by bringing a multitude of optical configurations at up to 125K lumens, with a slim line profile that significantly reduces wind load

This feature rich package provides exceptional area coverage and enhanced site appeal enabling a better turnout in retail, commercial or sports venues

## Construction

- Minimal profile Low EPA (0.9 ft2) for optimized pole wind loading.
- AMA mount – adjustable mounting arm is rugged die cast aluminum and mounts to 2-3/8" (60mm) O.D, minimum 4.72" (120mm) tall vertical tenon
- Luminaire body and sides heavy duty die cast aluminum with separate weather tight chamber for light engine and heat sink
- Modular design allows for easy installation, replacement and maintenance.
- Centralized flow-through convection system, pulls heat off both the optics and driving housing
- IK08 rated lens and housing completely sealed against moisture and environmental contaminants (IP67).
- Tenon bracket adjustable from horizontal 60° towards pole and 120° away from pole

## Optics

- Over 12 IES distributions available, including Autospec beam to highlight front row of cars at automotive dealerships
- High-uniformity CRI80 LED optics are constructed of durable optical polycarbonate resistant to degradation or abrasion
- Steel plate between optics and driver compartment adds protection to the light engine and prolongs LED life

## PRODUCT CODE

Example Stellar HP 120 cat. 83L.T4S+BL.50.G.AMA.DIM/BS

| Model No                   | Lumen Package             | Distribution                       |                   | CCT (°K)   | Finish      | Mounting  | Accessories                         |
|----------------------------|---------------------------|------------------------------------|-------------------|------------|-------------|---|-------------------------------------|
| Stellar HP 120<br>120-277V | 62L - 62,000 lms          | T2M - Type 2 Medium                | T510 - Type 5 10° | 30 - 3000K | BR - Bronze | AMA<br>Adjustable<br>Mounting Arm<br>For use with<br>vertical tenons<br>and poles | PE - Photocell                      |
|                            | 83L - 83,000 lms          | T3M - Type 3 Medium                | T525 - Type 5 25° | 40 - 4000K | RAL8019     |   | AL - Airlink                        |
| Stellar HP 480<br>347-480V | 104L - 104,000 lms        | T4S - Type 4 Short                 | T540 - Type 5 40° | 50 - 5000K | BK - Black  | W - White<br>RAL9010<br>G - Gray<br>RAL7004                                       | DIM - 1-10v<br>Dimming              |
|                            | 125L - 125,000 lms        | T4M - Type 4 Medium                | T560 - Type 5 60° | 57 - 5700K | RAL9011     |   | SPD - 10kA/20kA<br>Surge Protection |
|                            |                           | ASP - Autospec Front<br>Row Optics | T590 - Type 5 90° |            |             |   | BS - Bird Spike                     |
|                            |                           | +BL - 5° Backlight<br>Addon        | N6 - NEMA 6       |            |             |   | RDM - Remote<br>Driver module       |
|                            | +ST - Side Throw<br>Addon | N7 - NEMA 7                        |                   |            | 0 - None    |   |                                     |



| Specification   |                               |
|-----------------|-------------------------------|
| Lumen Package   | 62,000 - 125,000              |
| Wattage Range   | 461 - 924                     |
| Efficacy        | 135                           |
| Weight lbs (kg) | 40.54 (18.39) - 65.92 (29.90) |

## Electrical

- Each PCB is fitted with 20kV/10kA Voltage Suppressors as per ANSI/IEEE C62.41.2-2002 TVS to protect the LEDs from surges and transient events.
- 120-277VAC or 347-480VAC
- Average rated life L70/L90: >200,000H/>60,000H
- Premium LEDs, driver and components with MOLEX and WAGO connectors
- PF: > 0.95 THD: <20%
- Operating Temperature: -40°F to 131°F

## Finish

- Corrosion and UV resistant 100µm high temp polyester powder coat
- 1000hr salt spray certification as per ASTM B117/ ISO 9227:2012.
- Standard RAL colors Grey, Black, Bronze and White with any RAL customizations available



# STELLAR HP


High Output Flood/Area Luminaire

## PERFORMANCE

| Lumen Package | System Watts | Drive Current | LED Modules | LED Count | Initial Delivered Lumens <sup>1</sup> |            | Efficacy LPW |
|---------------|--------------|---------------|-------------|-----------|---------------------------------------|------------|--------------|
|               |              |               |             |           | 3000K                                 | 4000/5000K |              |
| 62L           | 461          | 700mA         | 6           | 216       | 56,012                                | 62,235     | 135          |
| 83L           | 614          | 700mA         | 8           | 288       | 74,601                                | 82,890     | 135          |
| 104L          | 769          | 700mA         | 10          | 360       | 93,434                                | 103,815    | 135          |
| 125L          | 924          | 700mA         | 12          | 432       | 112,266                               | 124,740    | 135          |

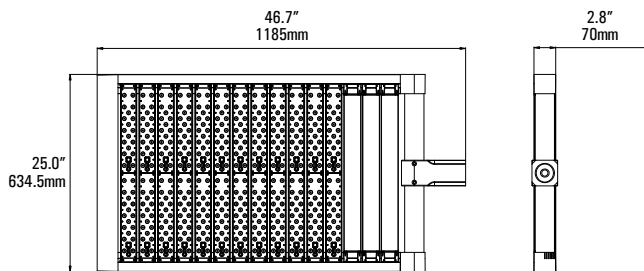
<sup>1</sup>Initial delivered lumens at 25°C (77°F). Actual production yield may vary between -10 and +10% of initial delivered

## OPTIONS

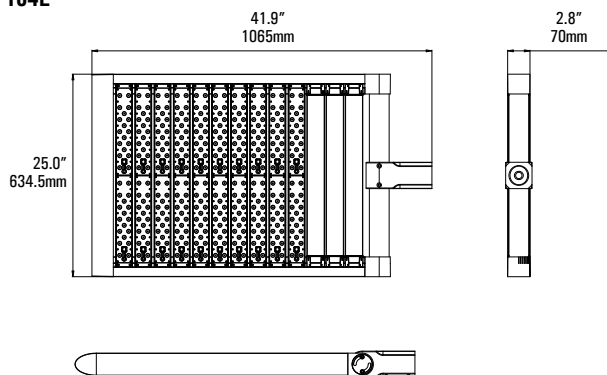
|   |                                       |  |                                    |
|---|---------------------------------------|--|------------------------------------|
|   | <b>PE</b><br>Photocell                |   | <b>AL</b><br>Airlink               |
|   | <b>BL</b><br>5° Backlight Addon       |   | <b>BS</b><br>Bird Spike            |
|  | <b>AMA</b><br>Adjustable Mounting Arm |  | <b>RDM</b><br>Remote Driver Module |

## DIMENSIONS

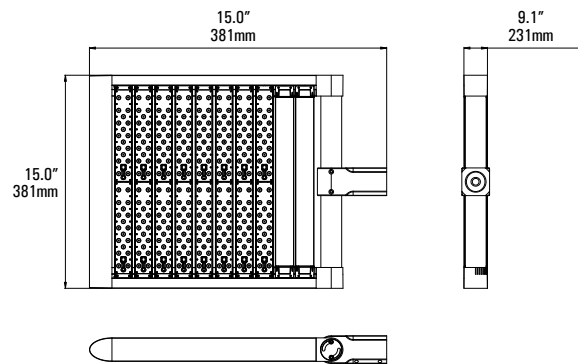
### 125L



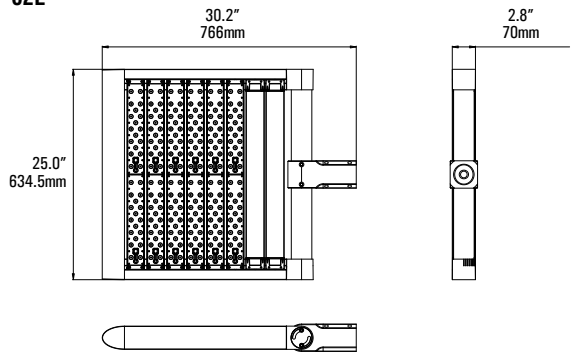
### 104L



### 83L



### 62L



| LED Count | Weight              | EPA   |
|-----------|---------------------|-------|
| 216       | 40.57 lbs. (18.4kg) | 0.670 |
| 288       | 48.50 lbs. (22.0kg) | 0.735 |
| 360       | 60.40 lbs. (27.4kg) | 0.843 |
| 432       | 65.92 lbs. (29.9kg) | 0.919 |

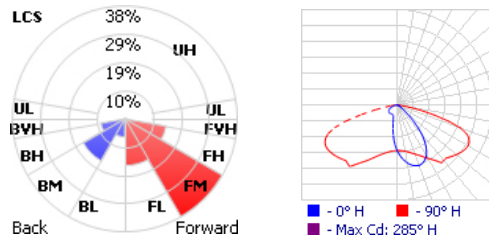


# STELLAR HP

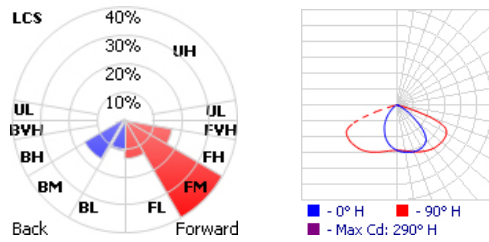
High Output Flood/Area Luminaire

## PHOTOMETRICS

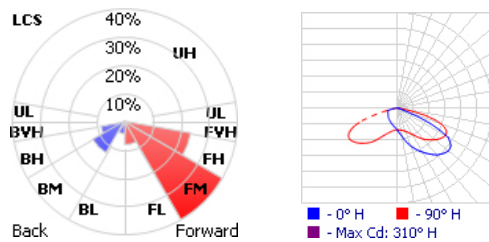
### T2M



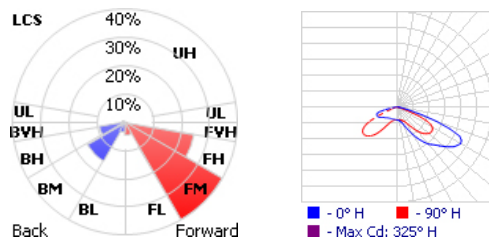
### T3M



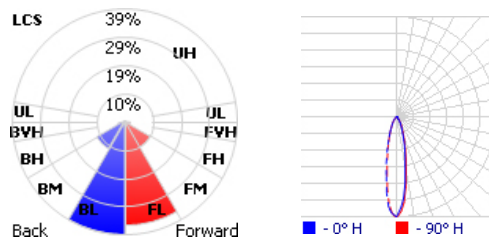
### T4M



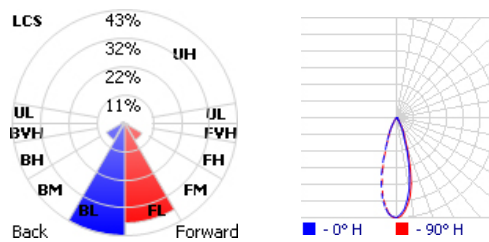
### T4S



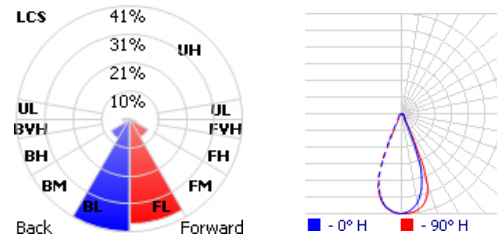
### T5-10°



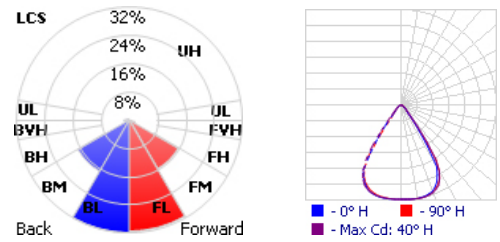
### T5-25°



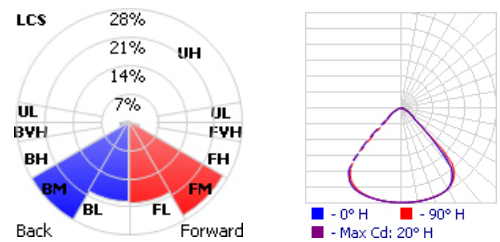
### T5-40°



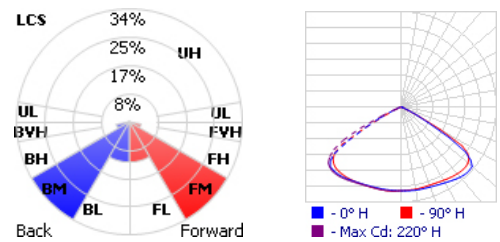
### T5-60°



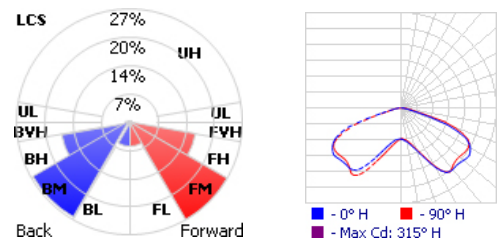
### T5-90°



### NEMA 6



### NEMA 7



### ASP (Automotive Optic)

