

STREAM MOD/A

Recessed Wall Light



Applications: Pathways and building perimeter, entrances, architectural, urban environments, bars and restaurants

PERFORMANCE SUMMARY

The Stream LED is a wall-mounted recessed luminaire perfect for accentuating walkways, stairs and retaining walls. It features a smooth transparent PMMA lens cover for easy cleaning.

Features

- Durable extruded die cast aluminium housing
- Glare eliminating stepped baffle design
- Surface finished with a proprietary Akzo Nobel treatment, withstanding harsh weather conditions without cracking or peeling
- Wide beam asymmetric distribution
- Transparent PMMA screen offers high ingress protection
- Available in marine ambient corrosion resistant option for installation in seaside areas
- Dimmable

Specification

Volts: AC100-277V or 24V DC

PF: > 0.95

Average Rated Life: 90,000hrs

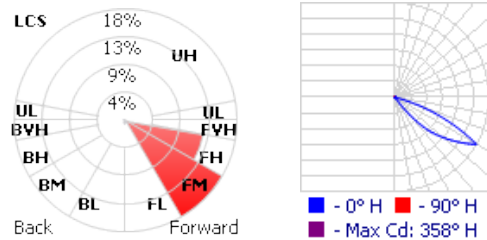
CRI: RA80/90

Environment Location: IP65

Ambient temp: -20°C to 45°C

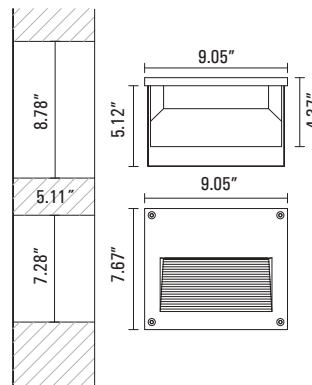


PHOTOMETRICS

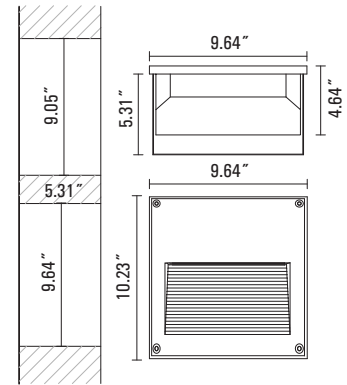


DIMENSIONS

Mod A1



Mod A2



PRODUCT CODE

Example Stream Mod/A1 cat. 380BM

Model No	Mod	Color Temperature (K)	Ra	Housing Color	Accessories
Stream	A1 - 8W/780lm	3 - 3000	80 - RA80	B - Black	DIM - 0-10V Dimming
		4 - 4000		W - White	
		6 - 6000		RAL9016	
Stream	A2 - 16W/1560lm	3 - 3000	80 - RA80	G - Gray	M - Marine grade corrosion resistance
				RAL7012	
				M - Mineral Bronze	
				S - Silver	
				RAL9006	O - None

