

TURRET MOD/B

Wash Diffuse Architectural Wall Luminaire



Applications: Walkways, building perimeters, awnings, education and healthcare, corporate offices

PERFORMANCE SUMMARY

The Turret Series LED architectural wall luminaire combines simple lines with high impact rating for added vandal resistance, suitable for installation in public areas. Featuring a variety of diffuser options and colors, it is perfect for a wide range of building perimeter and walkway applications.

Features

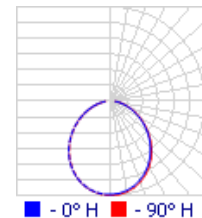
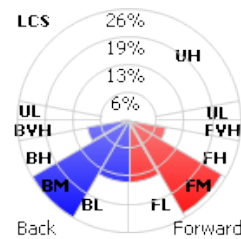
- Heavy duty die cast aluminium housing with high impact IK10 polycarbonate lens, suitable for installation in public areas
- Featuring a side wall wash diffuser option
- Wide range of colours in black, gray and white
- Finished in proprietary powdercoat process withstanding extreme weather changes without cracking or peeling
- Emergency, microwave motion sensor and 0-10V dimming options
- Ultra high efficiency optics deliver precise optical control using PMMA/PC lens providing exceptional coverage and uniformity

Specification

Volts: AC100-240V
 Average Rated Life: 50,000hrs
 CRI: RA80
 Environment Location: IP65
 Impact Rating: IK10
 Ambient Temp: -4°F to 113°F
 Beam Angle: 120°



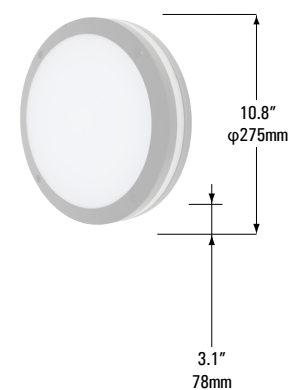
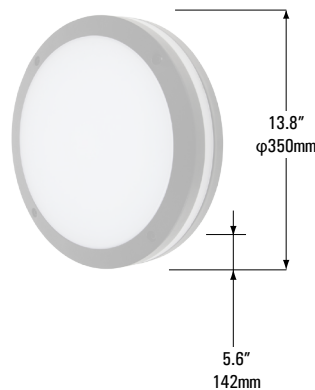
PHOTOMETRICS



DIMENSIONS

Large Body

Small Body



PRODUCT CODE

Example Turret cat. B183B0

Model No	Mod	Wattage (W)	Color Temperature (K)	Finish	Control
Turret	B	18 - 18W/1,080 lms	3 - 3000	B - Matt Black	DIM - Dimmable
		28 - 28W/2,160 lms	4 - 4000	G - Gray	IMS - Integral Motion
			6 - 6000	W - White	EM - Battery
					0 - None

