

VERSA

Precision Floodlight



Applications: Building perimeters, accent lighting, general facades, entrances, architectural, residential, signage

PERFORMANCE SUMMARY

The engineered optical system of Sunled's Versa Series enables precisely designed accent effects with a wide spectrum of distributions from extra narrow to wide beam at up to 10,000 lumen output

Tunable white technology and color changing options provide total design versatility during planning phases

Construction

- Durable extruded die cast aluminium housing
- Surface finished with a proprietary Akzo Nobel treatment, withstanding harsh weather conditions without cracking or peeling
- Mounting accessories including ground, wall, pole and landscape
- Different body sizes for building, facade or general perimeter applications

Optics

- Tempered glass lens cover
- Glare reducing baffle option
- Available in 9 distributions for precise optical control
- CRI: RA80

Electrical

- Volts: AC100-277V or DC24V
- Environment Location: IP65
- Average Rated Life: 100,000hrs
- Ambient Temp: -4°F to 113°F
- AC120V or DC24V RGBW colour changing option, with internal DMX decoder

PRODUCT CODE

Example Versa 120 cat. 2.32.40.25.JB.B.M/DIM

Model No	Body Size	Wattage (W)	CCT (°K)	Beam Angle	Mounting	Finish	Accessories
Versa 120 120-277VAC	1 - Mini	C15 - 15W/1,332Lm	27 - 2700	05 - 05°	JB - Junction Box	B - Black RAL9011	H - Baffle Louver
		C22 - 22W/1,822Lm	30 - 3000	15 - 15°	KR - 1/2" Knuckle Threaded Receptacle	W - White RAL9016	C - Concentric Louver
		C26 - 26W/2,124Lm	40 - 4000	25 - 25°	KR3 - 1/2" Knuckle Threaded 3ft Stem	G - Gray RAL7012	M - Marine Resistance
	2 - Small	C32 - 32W/2,775Lm	50 - 5000	36 - 36°	YK - Yoke	M - Mineral Bronze	P1 - Tree Strap
		C40 - 40W/3,229Lm		50 - 50°		S - Silver RAL9006	J - Pole Clamp 3.7"-3.9"
							S1 - Ground Stake
	3 - Medium	C66 - 66W/6,221Lm					DIM - 0-10V Dimming
		C78 - 78W/7,276Lm					0 - None
		C86 - 86W/7,624Lm					
	4 - Large	C120 - 120W/10,560Lm					

NOTES

¹Not available on medium and large body



ACCESSORIES

Mounting



Junction Box



1/2" Knuckle Receptacle



1/2" Knuckle Threaded Stem



Yoke



Ground Stake



Tree Strap



Pole Clamp



Ground Mounted



Wall Mounted



Bracket Mount

Shielding



Concentric Louver



Honeycomb Louver



Horizontal Spread H30°xV15°



VERSA

Precision Floodlight

PRODUCT CODE

Example Versa 24 cat. 3.C80.RGBW5.40.YK.G.H

Model No	Body Size	Wattage (W)	CCT (°K)	Beam Angle	Mounting	Finish	Accessories
Versa 24 24VDC with Internal DMX Decoder	1 - Mini	C26 - 26W/921Lm	RGBW3 RGBW-3000K	08 - 08°	JB - Junction Box	B - Black RAL9011	H - Baffle Louver
	2 - Small	C42 - 42W/1,528Lm	RGBW4 RGBW-4000K	15 - 15°	KR - 1/2" Knuckle Threaded Receptacle	W - White RAL9016	C - Concentric Louver
	3 - Medium	C80 - 80W/2,661Lm	RGBW5 RGBW-5000K	25 - 25°	KR3 - 1/2" Knuckle Threaded 3ft Stem	G - Gray RAL7012	M - Marine Resistance
	4 - Large	C112 - 112W/2,862Lm	RGBWC Tunable White 2700-6500K	40 - 40° 60 - 60° 3015 - H30°x V15°	YK - Yoke	M - Mineral Bronze S - Silver RAL9006	P1 - Tree Strap J - Pole Clamp 3.7"-3.9" S1 - Ground Stake O - None

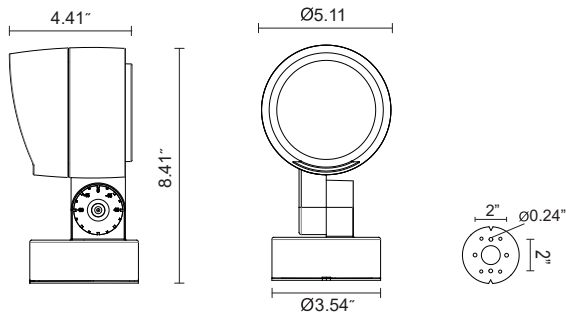
NOTES

¹Not available on medium and large body

DIMENSIONS

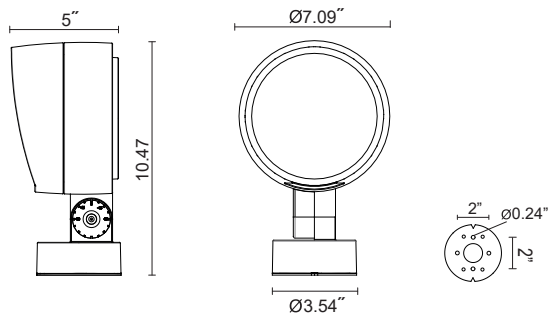
Mini

Weight: (May vary with accessories)
4.6lbs (2.1kg)



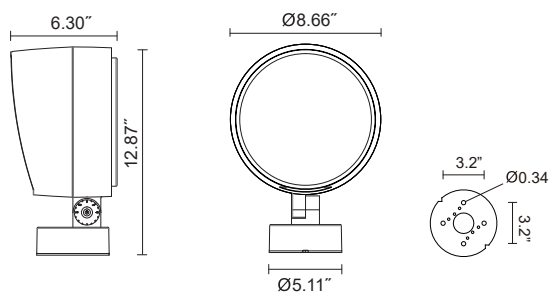
Small

Weight: 6.2lbs (2.8kg)



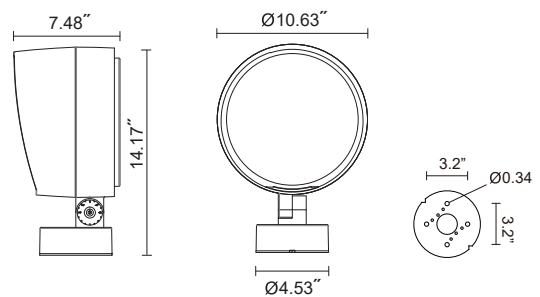
Medium

Weight: 11.9lbs (5.4kg)

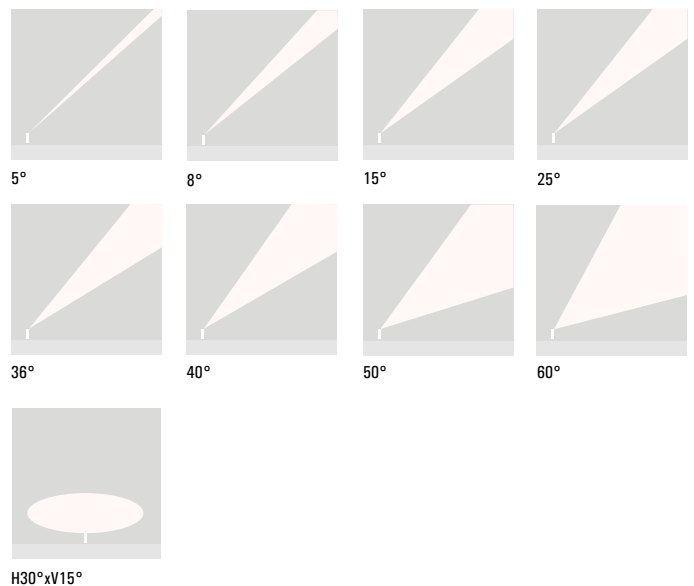


Large

Weight: 16.3lbs (7.4kg)



BEAM ANGLE

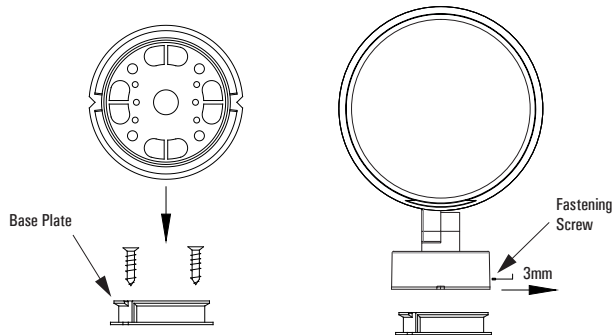


VERSA

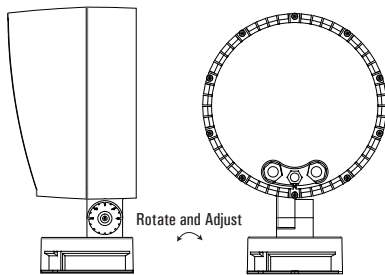
Precision Floodlight

INSTALLATION INSTRUCTIONS

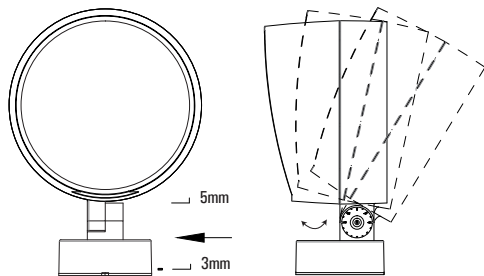
- (1) Open the box, remove fixture, installation hardware and accessories
- (2) To adjust the aiming angle loosen the hinge screw, tilt as needed
- (3) Loosen screws on the base junction box, remove base plate and fix it to the mounting surface.
- (4) Once base plate is fixed place the junction box and light head on the mounting plate



- (5) Rotate and adjust junction box and light head until side holes of the base plate lineup with the junction box
- (6) Retighten screws, ensure there is no movement



- (7) Adjust light head to the required projection angle and lock the hinge screws
- (8) Installation is complete



Safety

- Prior to connection confirm input voltage is correct
- The installation and disassembly must be operated by a professional electrician
- Switch off mains power during installation in case of electric shock.
- Install fixture in dry weather
- Not recommended for use in low-lying or permanent waterway areas.
- Joints must be waterproofed properly, recommended IP68 minimum
- Do not operate on a same circuit with HID fixtures or electric motors
- Not recommended to be installed near seaside and corrosive chemical areas
- Do not open or modify the fixture to avoid water ingress, this may void the warranty