

CHALLENGER

Architectural Vapor Proof Batten



Applications: Parking garages, industrial facilities, retail stores, garden centers, food services, airports

PERFORMANCE SUMMARY

Specially designed for wet, damp and cold storage locations, the vapor-tight Challenger luminaire from Sunled Industries withstands rugged environments and is available in 2-foot and 4-foot lengths.

With its sleek appearance, low profile, and numerous options it has the right look while being ideal for the most demanding applications

Features

- Polycarbonate sealed vandal resistant housing
- Refined architectural appearance both in clear and frosted lens
- 140Lm/w operating efficiency
- A continuous, non-porous gasket keeps the fixture free from dust, dirt, and moisture
- 4°F suitable for installation in cold storage areas
- Quickfit bracket or optional suspension kit for simple installation
- Series linkable plug and play connection capability
- Emergency battery backup available

Specification

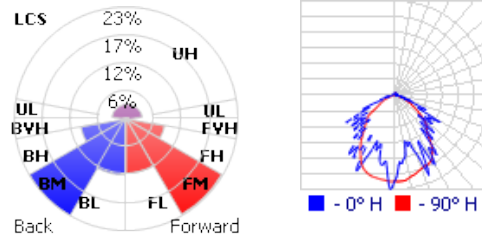
Volts: AC100-277V
 Average Rated Life: L90/36,000hrs
 CRI: RA80
 Beam Angle: 120°
 Environment Location: IP65
 Impact Rating: IK08
 Ambient Temp: -4°F to 122°F
 Emergency: 1.5hr/8W/3000mAh

PRODUCT CODE

Example Challenger cat. 20.L.3.F.SS.EM
 * Notes: F (Frosted Lens), C (Clear Lens)



PHOTOMETRICS



OPTIONS



AC
Acrylic Reflector



AL
Aluminium Reflector



L
Linkable Serial

Model No	Wattage (W)	Connectors	CCT (°K)	Lens	Mounting	Emergency
Challenger	20 - 2ft	0 - None	3 - 3000	F - Frosted	S - Surface	EM - Emergency Backup
	2600Lms (F)	L - Linkable Serial	4 - 4000	C - Clear	SS - Suspended	0 - None
	2800Lms (C)		5 - 5000			
	30 - 4ft		6 - 6000			
	3900Lms (F)					
	4200Lms (C)					
	40 - 4ft					
	5200Lms (F)					
	5600Lms (C)					
	70 - 4ft					
	9100Lms (F)					
	9800Lms (C)					

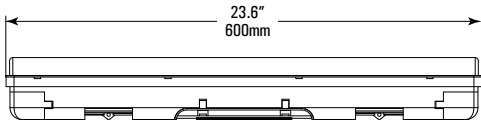


CHALLENGER

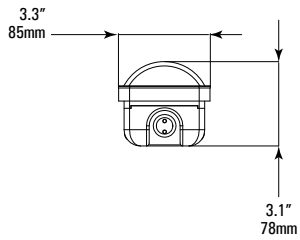
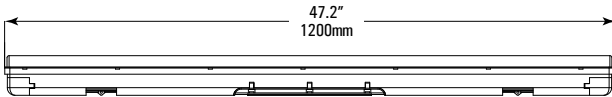
Architectural Vapor Proof Batten

DIMENSIONS

2ft

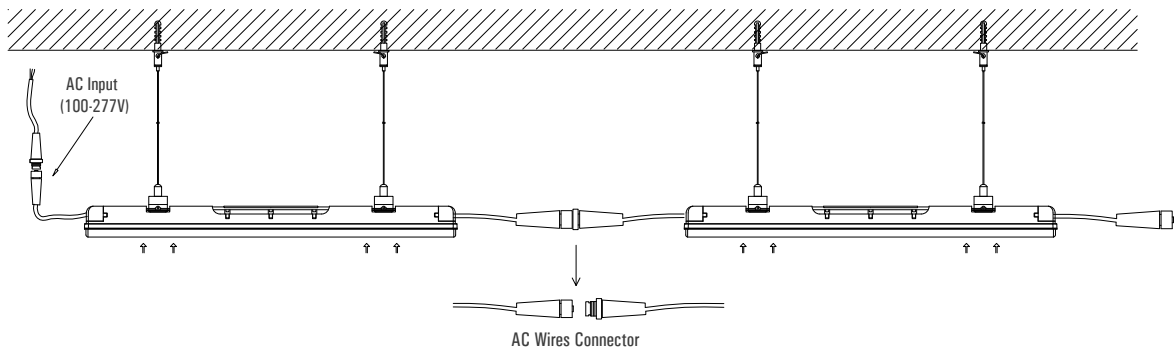


4ft



MAXIMUM LINKAGE

Wattage(W)	Max Linkage
20	14
30	12
40	8
70	5

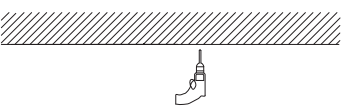
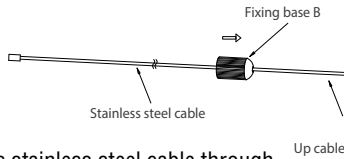
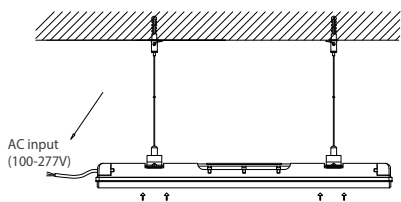
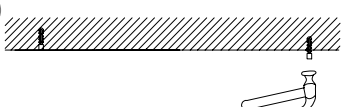
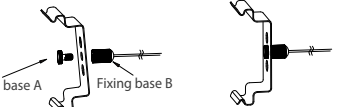
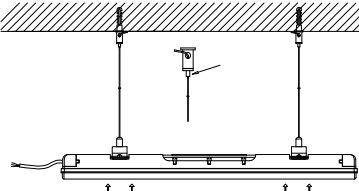
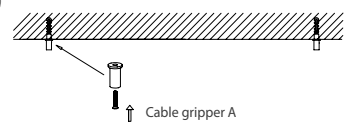
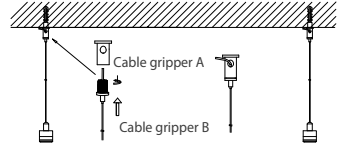


CHALLENGER

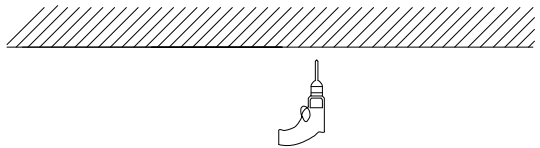
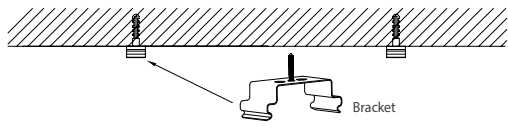
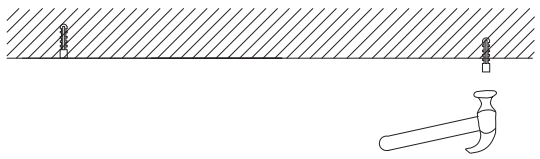
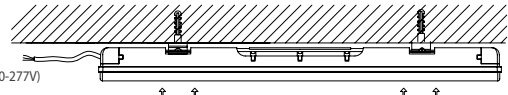
Architectural Vapor Proof Batten

INSTALLATION

Pendant Mount

<p>1</p>  <p>Drill two desired holes on the ceiling</p>	<p>4</p>  <p>Pass stainless steel cable through fixing base B</p>	<p>7</p>  <p>Lift up the fixture and fasten to the bracket. Connect the L, N, GND wires to the corresponding wires of the AC cord from the ceiling.</p>
<p>2</p>  <p>Tap the plastic expansion tube into hole</p>	<p>5</p>  <p>Pass fixing base A through the bracket and twisted into fixing base B</p>	<p>8</p>  <p>Press the tip of the gripper to pull the suspension cable to desired height and level the fixture.</p>
<p>3</p>  <p>Pass the screw KA4*30 through cable gripper A, and then inserted into expansion tube.</p>	<p>6</p>  <p>Pass stainless steel cable through fixing base B</p>	

Surface Mount

<p>1</p>  <p>Drill two desired holes on the ceiling as shown above.</p>	<p>3</p>  <p>Pass screw KA4*30 through the bracket, and then inserted into expansion tube. Make sure the bracket fixed well.</p>
<p>2</p>  <p>Tap the plastic expansion tube into the hole.</p>	<p>4</p>  <p>Lift up the fixture and fasten to the bracket. Connect the L, N, GND wires to the corresponding wires of the AC cord from the ceiling. The installation is finished.</p>