

EM-EMA

Integrated Emergency Driver



Applications: Backlit panels, troffers and downlights

PERFORMANCE SUMMARY

The EM-EMA series emergency LED driver is for field and factory installation that allows any Sunled 0-10V dimmable fixture to be used for both normal and emergency operation.

The unit contains a battery charger and inverter that operates a load of 8W or 18W with constant power at a rated output voltage of 170VDC. The patented constant power circuitry of the module maintains uninterrupted illumination levels during power failure

Features

- Constant power output in emergency mode
- Optimized for higher voltage LED luminaires with 170VDC driver input
- Self-sensing output voltage circuitry maximises product compatibility
- High temperature recyclable lithium battery technology for significantly decreased enclosure size and longer operational life
- Rated for use in plenums, damp locations, enclosed and gasketed fixtures

Self Diagnostic

The integrated self-diagnostic circuitry will automatically conduct 1 monthly 30 second and annual 90 minute tests to verify proper emergency capability per life safety code requirements NFPA 101 Life Safety Code outlines the following schedule:

Monthly

During AC mode, the system conducts a 30s self discharge test of the emergency LED driver every 30 days and automatically restores to normal charging after full discharge

Annually

During AC mode, the system conducts a 90 minute self discharge test of the emergency led driver every 365 days and automatically restores to normal charging after 30 seconds discharge

Operation

Normal Supply

During normal AC supply conditions the LED driver load will operate as usual and emergency driver remains in charging mode

Emergency Mode

When AC power fails the driver automatically switches to emergency mode, keeping the LED load illuminated at a reduced lumen output for a minimum of 90 minutes. During this time, the indicator will flash slowly (light on for 2 seconds, off for 2 seconds). When AC power is restored, it will return to charging mode and the indicator light remains on

Specification

Input Voltage: 120-347VAC 50/60Hz

Input Power: 12W Max

Output Voltage: 170VDC

Output Power: 8,18W Power Factor: 0.85

EMI Radiated/Conducted: FCC Class A Charge and EM Modes

Surge Protection: Meets ANSI/IEEE C62.41.2-2002

Emergency Operation: 90 minutes

Charge Time: 24hr Recharge

Ambient Temperature: Lithium -25°C to +40°C (-13°F to 104°F)

Approval: cUL Listed for Factory and Field Installation



ORDERING CODE

EM-EMA cat. 18 WW

EM-EMA Emergency Series

EM-EMA Integrated Emergency Driver

18 Output

8 8W/170VDC
Up to 50W Driver

18 18W/170VDC
Up to 75W Driver

WW Test Switch

WW Wired

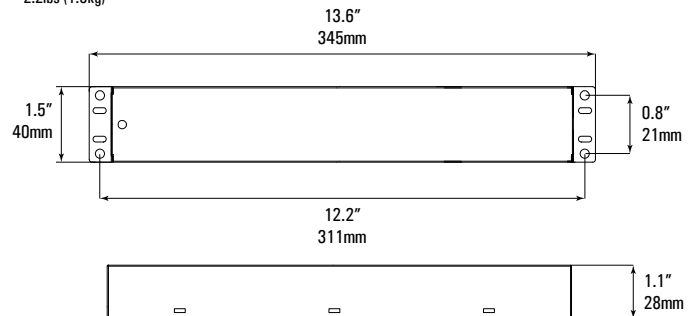
WL 2.4GHz Remote

Fixture Driver		8W EMA	18W EMA
Non Dimmable	0-8W	X	X
	8-18W		X
0-10V Dimmable	8-50W	X	X
	18-75W		X

NOTE – The emergency driver is not compatible with non-dimmable fixtures when the driver wattages is less than the fixture wattage. Refer chart above to avoid early failure not covered under warranty

DIMENSIONS

Weight: (May vary with accessories)
2.2lbs (1.0kg)



EM-EMA

Integrated Emergency Driver

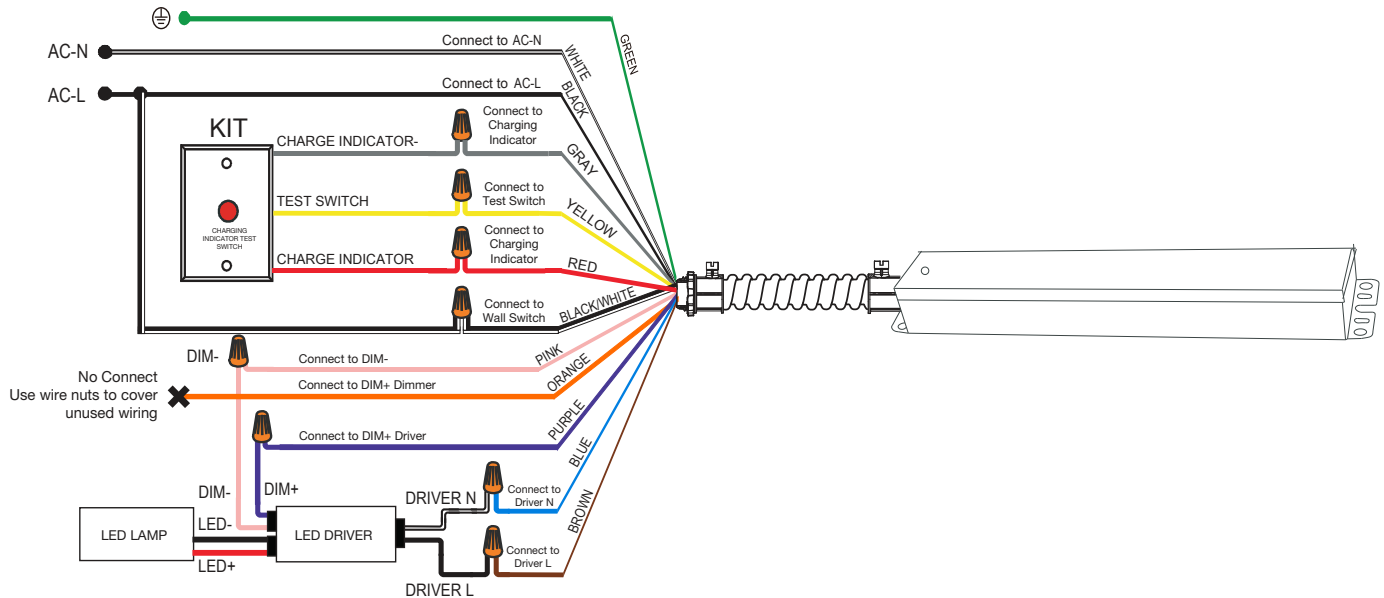
INDICATOR OPERATION

Mode	Test Switch	Wireless Remote	Indicator Status	Solution
AC Mode 1	Not Pressed	Not Pressed	On Not Flashing	Driver Charging
AC Mode 2	Pressed Once	Pressed Button A Once	2s On 2s Off	30s Short Term Test
AC Mode 3	Pressed 2x In 2s Sequence	Pressed Button B Once	2s On 2s Off	Long Term Test To Discharge
Emergency Mode 1	Not Pressed	Not Pressed	2s On 2s Off	Emergency Mode To Discharge
Emergency Mode 2	Pressed Once	Pressed Button A Once	Off	Driver Is Off
Problem	When indicator flashes 0.2s on and 0.2s off or turns off the emergency backup is damaged and should be replaced			

WIRING DIAGRAM

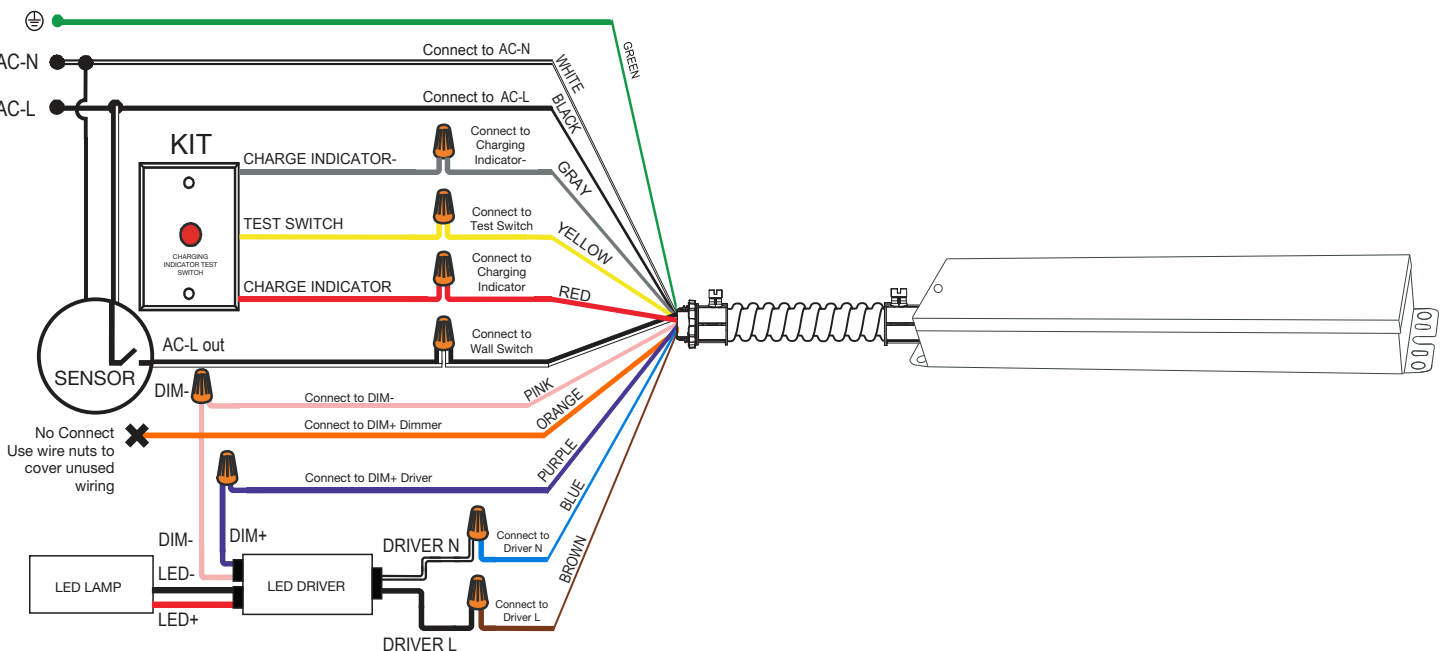
Without Switch/Dimmer

0-10V Dimmable Fixture Only



With Sensor

0-10V Dimmable Fixture Only

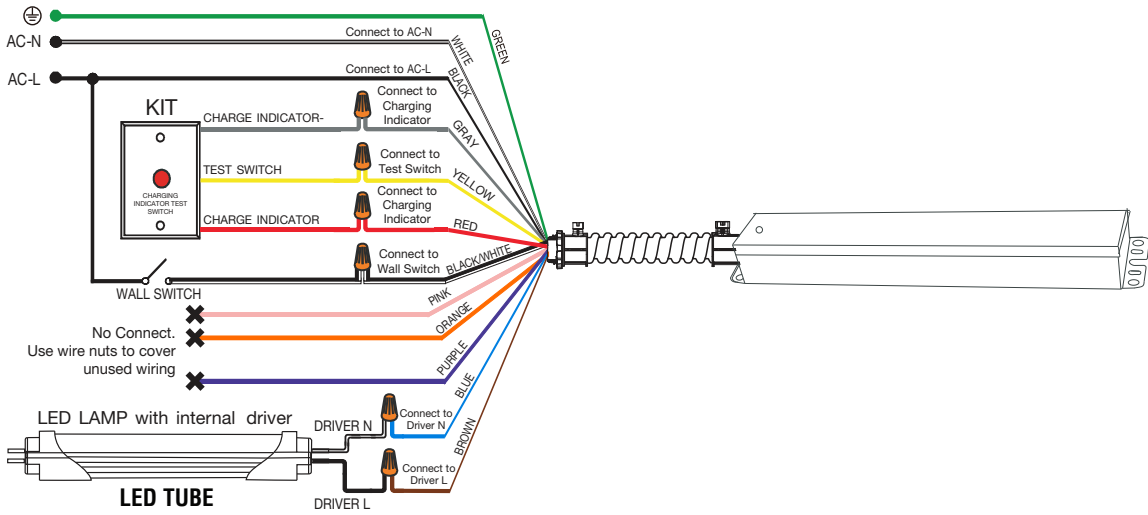


EM-EMA

Integrated Emergency Driver

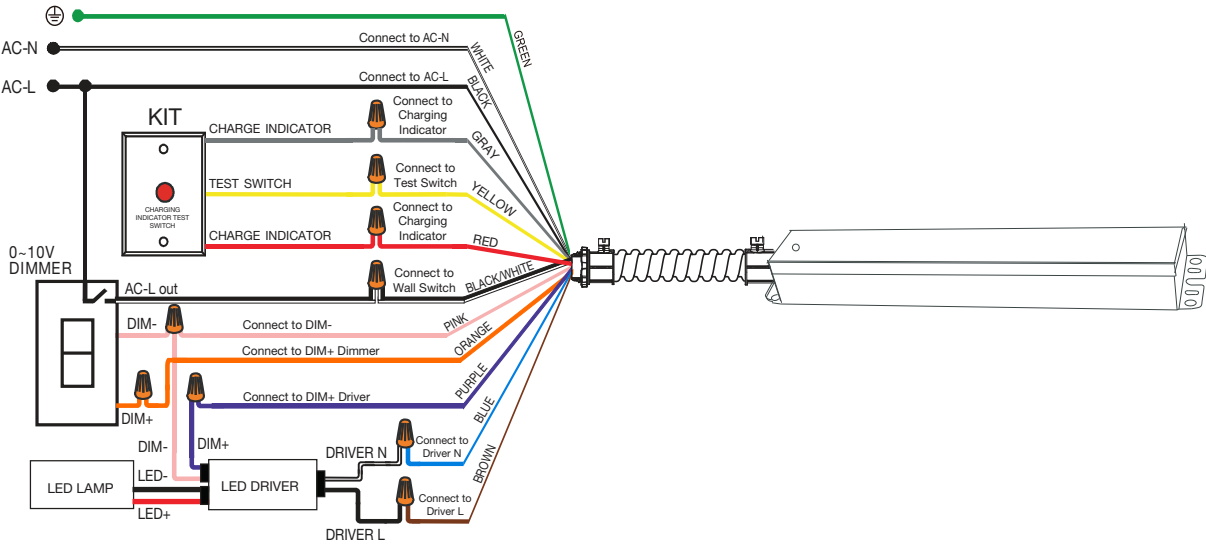
LED Fixture < Emergency Driver

None Dimmable Fixture



LED Fixture > Emergency Driver

0-10V Dimmable Fixture Only



Without Dimmer

0-10V Dimmable Fixture Only

