

# HIEYE EX

Highbay Luminaire



**Applications:** Petroleum refineries, chemical plants, foundaries, paint booths, oil rigs, power generation facilities

## PERFORMANCE SUMMARY

Sunleds Series of HiEye Ex LED fixtures are suitable for Class I, Division 2 hazardous location areas available in two sizes ranging from 5,600 to 28,000 lumen packages for a wide range of indoor and outdoor applications

Versatile mounting options enable this family of fixtures to be used for ceiling, pendant, wall or pole mount installations and are ideal for general area lighting in petrochemical, heavy industrial, chemical or wastewater facilities where flammable or explosive vapors or gases are present.

## Construction

- Low profile and lightweight design is ideal for compact installations
- High temperature silicon gaskets
- Copper free die-cast aluminum housing optimizes heat dissipation
- Marine grade high temperature polyester powder coat withstanding harsh and hazardous environments
- Wet location IP66 listed suitable in high pressure hose down areas
- Stainless steel adjustable mount yoke and accessories as standard
- Optional universal arm attachment that can be adapted to wall/stanchion mounting with a multitude of mounting angles including flood, pendant or stanchion installations
- 3G vibration isolation rated

## Optics

- Available in 30°, 60°, 90°, 120° distributions
- Engineered lens provide superior beam to field ratios maximizes uniformity reducing total fixtures counts
- High impact heat resistant tempered glass lens built to maintain color and transparency over time
- Optical assembly secured by high tensile TOR-X T20 bolts from back of fixture
- 3000K to 6000K CCT options

## Electrical

- 120-277VAC or 200-400VAC
- Average rated life L80 >60,000hrs
- Integrated junction box enables quick and easy wiring
- Surge protection to 10kV/5kA as per ANSI/IEEE C62.41.2-2002
- PF: > 0.95 THD: <20%
- Operating Temperature: -40°F to 131°F
- 1-10V dimming

## UL844 Classification

UL1598/UL1598A Marine Marking  
Class I, Division 2, Groups A, B, C, D  
Class II, Division 1, Groups E, F, G  
Class II, Division 2, Groups F, G  
Class III

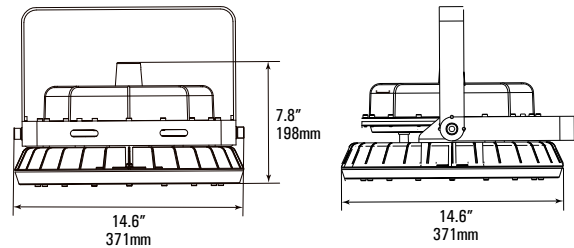


Specification	
Lumen Package	5,600 - 28,000
Wattage Range	40 - 200
Efficacy	140
Weight lbs (kg)	9.7 (4.4) - 18.1 (8.2)

## DIMENSIONS

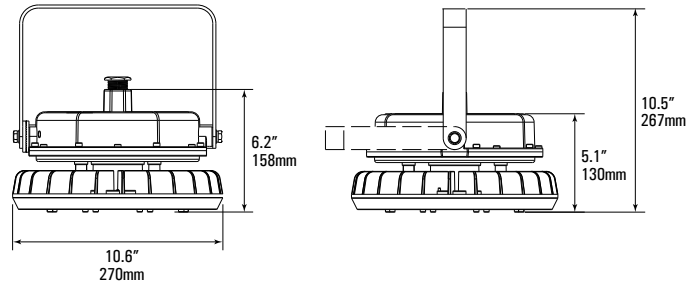
### 80-200W

Weight (May vary with accessories)  
18.1lbs (8.2kg)



### 40-60W

Weight: 9.7lbs (4.4kg)



# HIEYE EX

Highbay Luminaire

## PRODUCT CODE

Example HiEye Ex cat. 60.50.3.0.EYK.0

Model	Wattage	Color Temp	Beam Angle	Emergency	Accessories	Sensors <sup>1</sup>
HiEye Ex 100 100-277V	40 - 40W/5,600 lms	40 - 4,000K	3 - 30°	EPS - 3hrs Internal Emergency Power Supply	EJB - Junction Box	PM - Photocell + Motion
	60 - 60W/8,400 lms	50 - 5,000K	6 - 60°		EBP - Bended Pipe	
HiEye Ex 480 200-480V	80 - 80W/11,200 lms	57 - 5,700K	9 - 90°	0 - None	E90A - 90° Arm Support	PP - Photocell
	100 - 100W/14,000 lms	60 - 6,000K	12 - 120°		E25A - 25° Arm Support	MM - Motion
	150 - 150W/21,000 lms				ESP - Straight Pipe	0 - None
	180 - 180W/25,200 lms				ED01 - Pendant Adaptor	
	200 - 200W/28,000 lms				EH - Hook	
				EYK <sup>2</sup> - Yoke		

## NOTES

<sup>1</sup>Class I/Division II remote sensor

<sup>2</sup>Ships standard with yoke bracket

## ACCESSORIES



EJB Junction Box



EBP Bended Pipe



E90A 90° Arm Support



E25A 25° Arm Support



ED01 Pendant Direction Adaptor



ESP Straight Pipe



EH Hook



EYK Yoke

## SENSORS



PM Photocell + Motion



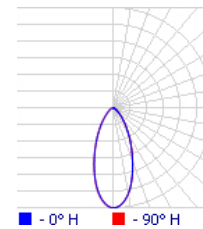
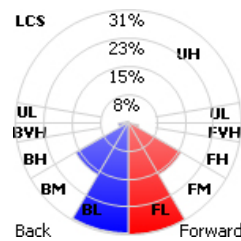
MM Motion



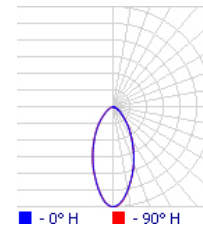
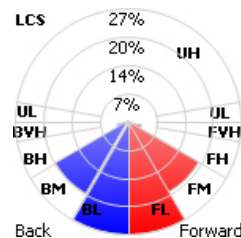
PP Photocell

## PHOTOMETRICS

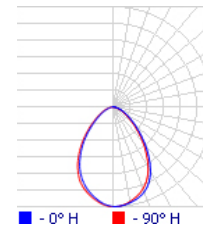
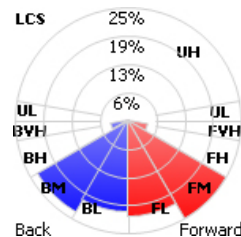
30°



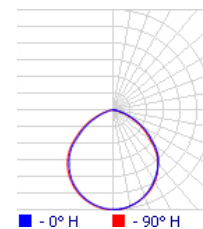
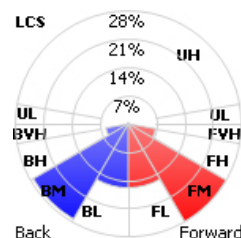
60°



90°



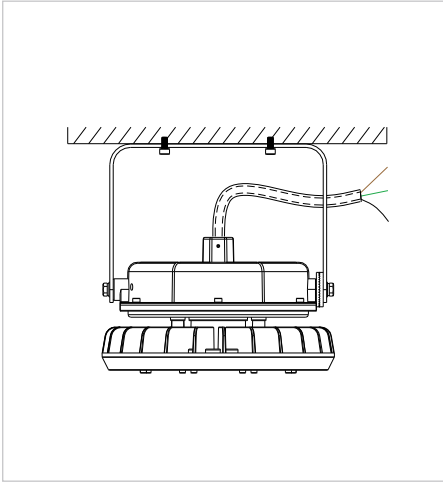
120°



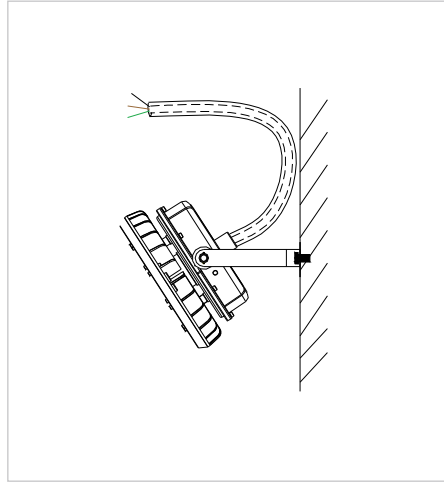
# HIEYE EX

Highbay Luminaire

## INSTALLATION



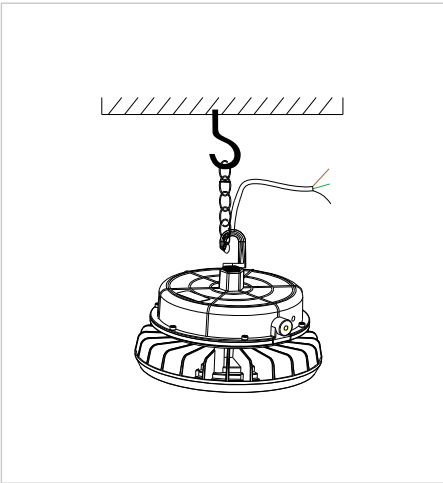
**Ceiling — Yoke**



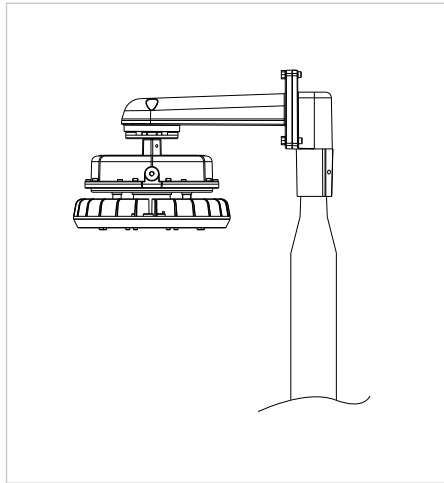
**Wall — Yoke**



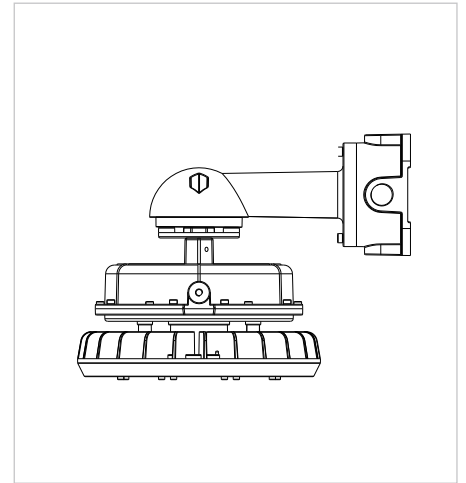
**Pendant — Straight Pipe**



**Pendant — Hook**



**Stanchion — 90° Arm**



**Wall — 90° Arm with Junction Box**