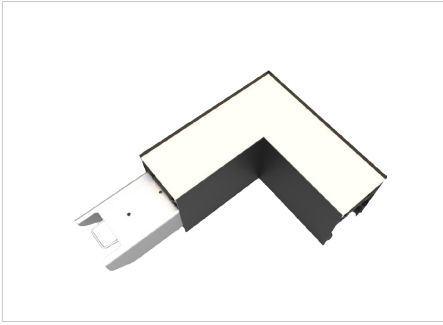




# INFORMA

Recessed Specification Linear LED

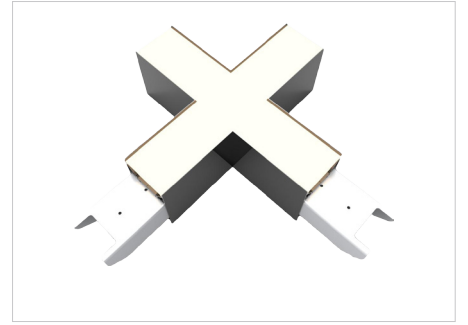
## CONNECTORS



**L** 2-Sided



**T** 3-Sided

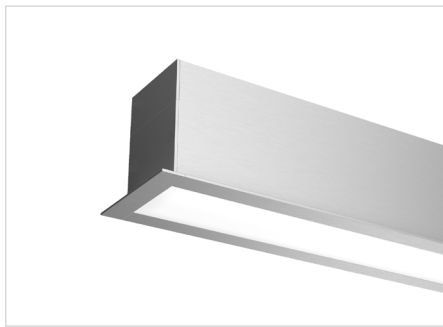


**X** 4-Sided

## COLOR



**W** White

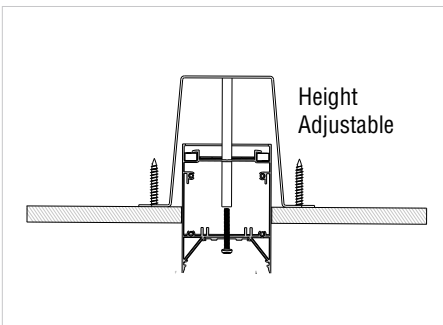


**G** Gray

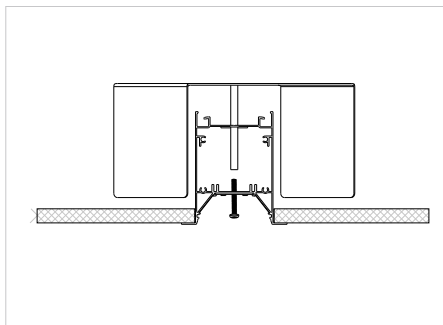


**B** Black

## TRIM



**F** Flangeless



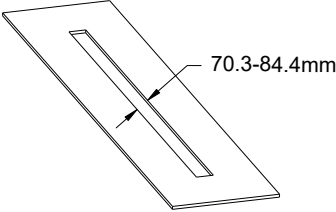
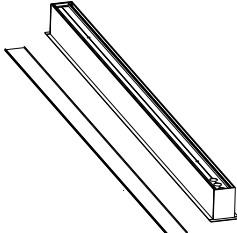
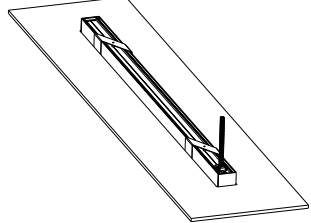
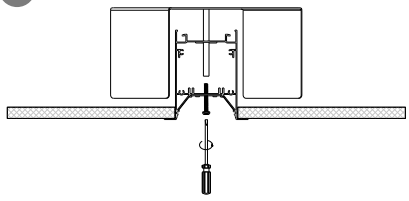
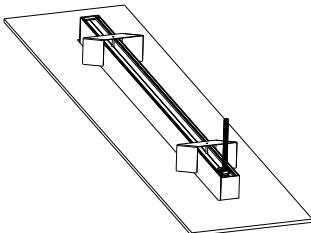
**O** Overlap Flange

# INFORMA

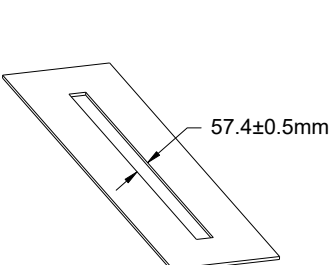
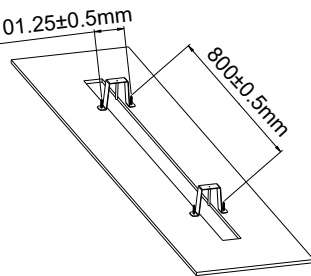
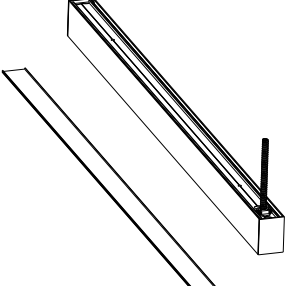
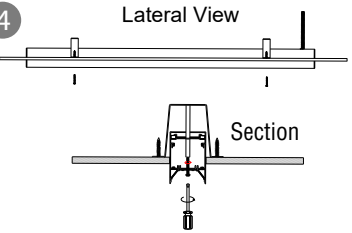
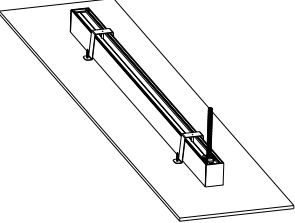
Recessed Specification Linear LED

## INSTALLATION

### Overlap Flange

<p>1</p>  <p>70.3-84.4mm</p> <p>Slot in ceiling 70.3-84.4mmW x length of fixture + 1 ± 0.5mm</p>	<p>2</p>  <p>Remove the diffuser</p>	<p>3</p>  <p>Attach the BX cable to the wiring head then insert the fixture into the slot</p>
<p>4</p>  <p>Use a screwdriver through the fixture to lock the fixture on the recessed bracket, the height of the fixture is adjustable.</p>	<p>5</p>  <p>Cover the diffuser, installation is finished</p>	

### Flangeless

<p>1</p>  <p>57.4±0.5mm</p> <p>Slot in ceiling 57.4±0.5mmW x length of fixture + 1 ± 0.5mm</p>	<p>2</p>  <p>101.25±0.5mm 800±0.5mm</p> <p>Fix the recessed bracket on the back of the ceiling with screws as to the position in the picture.</p>	<p>3</p>  <p>Attach the BX cable to the wiring head and remove the diffuser</p>
<p>4</p> <p>Lateral View</p>  <p>Section</p> <p>Use a screwdriver through the fixture to lock the fixture on the recessed bracket, the height of the fixture is adjustable.</p>	<p>5</p>  <p>Cover the diffuser, the installation is finished</p>	