

PILLAR

Flush Cylinder Downlight



Applications: Lobbies and foyers, driveways and sidewalks, building entrances, architectural and more

PERFORMANCE SUMMARY

The Pillar Series cylinder luminaires are great for both indoor and outdoor use. They provide a soft, diffuse light perfect for lobbies and foyers or to illuminate driveways and walkways

It is suitable for highlighting sidewalks and buildings, available in a small, attractive envelope that does not distract from the building.

Construction

- Durable extruded die cast aluminium housing
- Tempered glass lens
- Surface finished with a proprietary Akzo Nobel treatment, withstanding harsh weather conditions without cracking or peeling
- Different body sizes for building, facade or general perimeter illumination applications

Optics

- Available in narrow, medium beam and wide beam distribution options for precise optical control
- Extra narrow 8° beam option for precision illumination
- CRI: RA80

Electrical

- AC120-277V/DC24V white or RGBW colour changing option, with internal DMX decoding system
- Environment Location: IP65
- Average Rated Life: 90,000hrs
- 0-10V dimmable
- Ambient Temp: -4°F to 131°F
- PF: > 0.95

PRODUCT CODE

Example Pillar 120 cat. 27.0.DIM.L.C30.25.B.SV/J

Model No	CCT (K)	Control	Dimming	Body Size	Wattage (W)	Beam Angle	Housing Color	Accessories	
Pillar 24 DC24V	RGB - RGB	DMX - Internal	0 - None	S1 - Small	C04 - 4W/226m	08° - 8°	B - Black	SS - 3' Pendant	
	RGBW3			M - Medium	C11 - 11W/601lm	15 - 15°	RAL9011	SV - 3' Swivel Pendant	
Pillar 120 AC120V	RGBW-3000K	DMX512 Decoder	DIM - 0-10V Dimming	L - Large	C24 - 24W/1453lm	25 - 25°	W - White	M - Marine Treatment	
	27 - 2700				0 - None	C30 - 30W/1816lm	38 - 38°	Gray	J - Junction Box
	30 - 3000				0 - None	C24 - 24W/1456lm	45 - 45°	RAL7012	Mount Plate
	40 - 4000			0 - None	C30 - 30W/1816lm	60 - 60°	M - Mineral Bronze	0 - None	
	50 - 5000			0 - None	C40 - 40W/3658lm		S - Silver		
								S - Silver RAL9006	

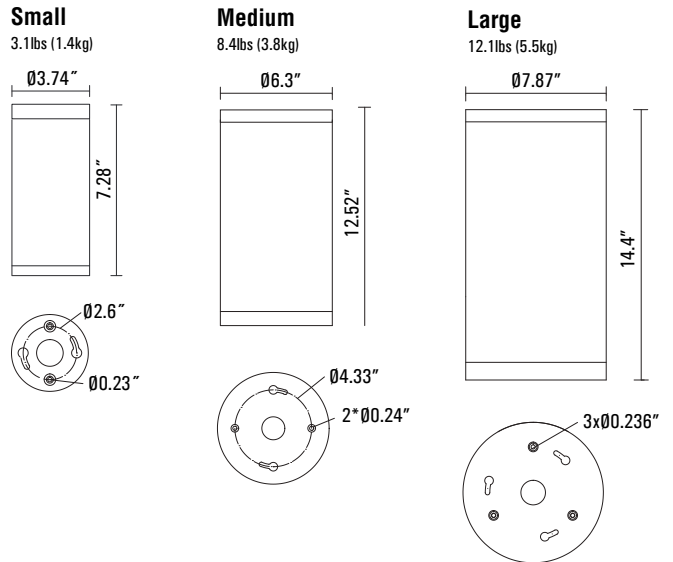
NOTES

- 0-10V dimming not available for small body
- 8° beam available for 40W model



DIMENSIONS

Weight may vary with accessories

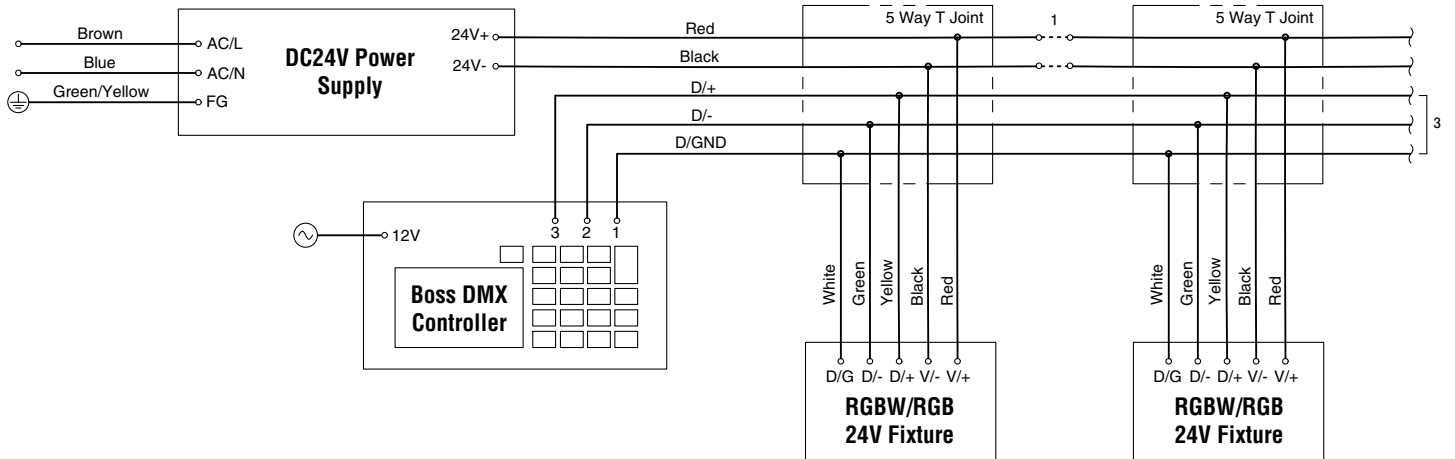


PILLAR

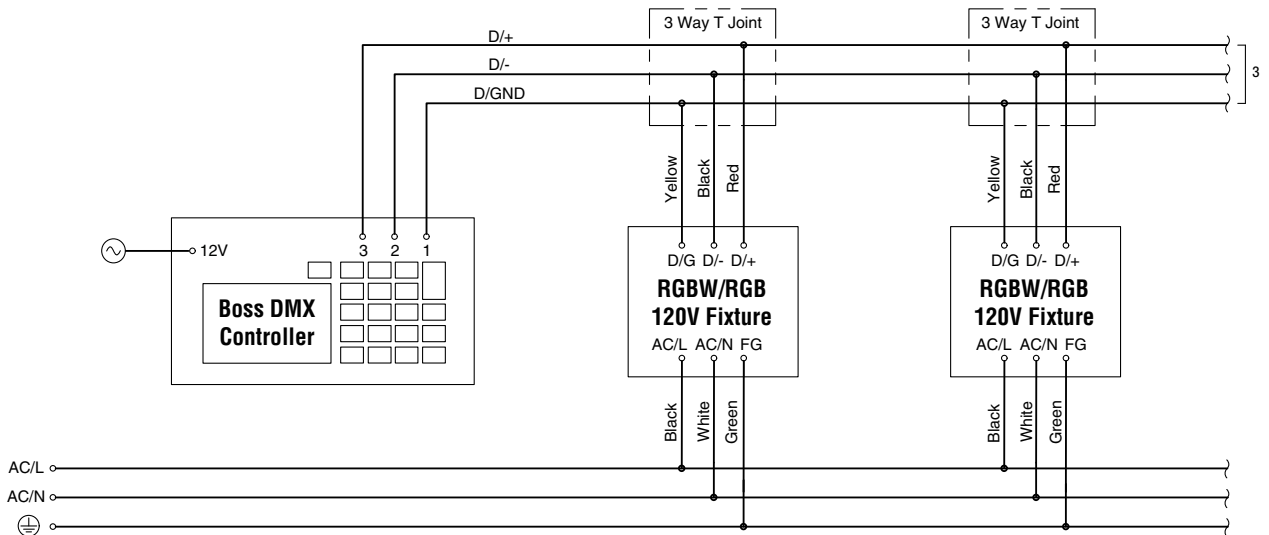
Flush Cylinder Downlight

DMX WIRING DIAGRAM

DC24V Linkable



AC120V Linkable



NOTES

- ¹Break and add additional 24V power supplies as needed
- ²Maximum 100ft 24V cable run recommended from each power supply
- ³Add line amplifier for DMX cable distances exceeding 300ft

WIRING ACCESSORIES

Order as separate catalog number

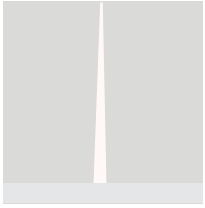
Controller	Joining Hardware	DC24V/IP67 Power Supply	Signal Amplifier
Boss - 32 Channel/8 Zone DMX Controller Power Supply, Remote and Preprogrammed Scenes	3P - 3 Way IP67 T-Joint 5P - 5 Way IP67 T-Joint	240 - 240W 320 - 320W 480 - 480W	Amp - 8 Output DMX Line Splitter/Amplifier



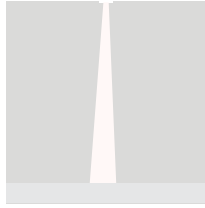
PILLAR

Flush Cylinder Downlight

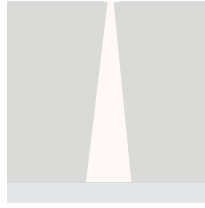
DISTRIBUTION



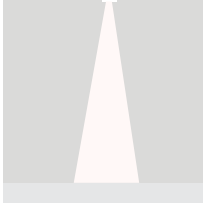
8°



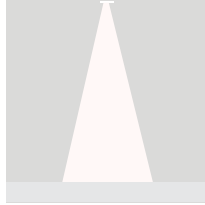
15°



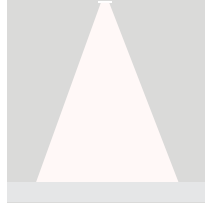
25°



38°



45°



60°