

SOLAIR MOD/2

Commercial Downlight



Applications: Office buildings, airports, retail, education and healthcare, convenience stores, hospitality, showrooms, car dealerships, corporate

PERFORMANCE SUMMARY

The Solair Mod/2 Series of down lights is a cost-effective solution for commercial-grade applications. Ideal for a variety of new construction projects the Solair delivers exceptional light quality at even greater mounting heights—up to 40 ft

Slim trim option creates a low profile presence in the ceiling with multiple 6, 8, 10 inch apertures available, delivering up to 6,400 lumen packages to accommodate high ceiling applications. Driver capabilities include switchable CCTs and lumens with smooth 0-10V dimming

Construction

- Galvanized steel mounting/plaster frame; galvanized steel junction box with bottom-hinged access covers and spring latches. Reflectors are retained by torsion springs
- Accommodates 12"-24" joist spacing
- Corrugated heavy duty steel sheathed driver cable

Optical

- Deep regressed lens conceals LEDs from direct view
- Comfortable opal diffuser eliminating dark spots for uniform illumination
- General illumination lighting with 1.0 S/MH and 55° cutoff to source and source image
- LEDs are binned to a 3-step SDCM; 80 CRI minimum
- Long LED life: L70 at >50,000 hours

Electrical

- Dimmable with most Lutron and Leviton 0-10V dimmers
- 3 way adjustable power selection/CCT switch
- Emergency battery backup option available
- Volts: AC100-277V (40W) or 110-347V (80W) 50/60Hz
- 0-10V isolated class 2 flicker free dimming drivers mounted to junction box with additional low voltage wires
- PF: > 0.9 THD: <20%

PRODUCT CODE

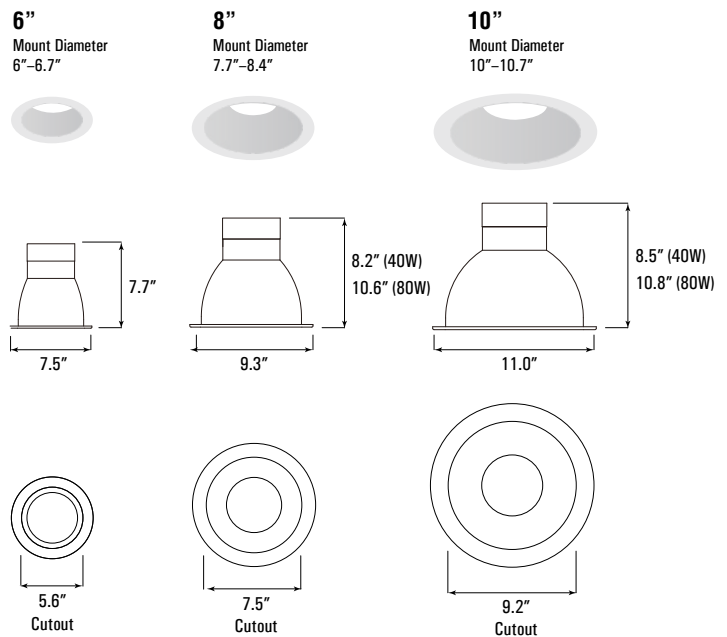
Example Solair Mod/2 cat. 6.14L.C1.F/PS.W.0

Model No	Diameter	Lumen Packages	CCT (°K)	Accessories	Finish	Emergency
Solair Mod/2	6 - 6"	14L - 1,440Lm	30 - 3000	F - New Construction Frame-in Kit PS - Power Selectable 0 - None	W - White Flange Semi Specular Reflector	EM - 8W/90min Emergency Backup 0 - None
	8 - 8"	21L - 2,160Lm	35 - 3500			
	10 - 10"	32L - 3,200Lm	40 - 4000			
			C1 - Selectable 30/35/4000K			
		40L - 4,000Lm	35 - 3500			
	52L - 5,200Lm	40 - 4000				
	64L - 6,400Lm					



Specification	
Lumen Package	1,440 - 6,400
Wattage Range	10 - 80
Efficacy	80
Weight lbs (kg)	6.2 (2.8) - 7.9 (3.6)

DIMENSIONS



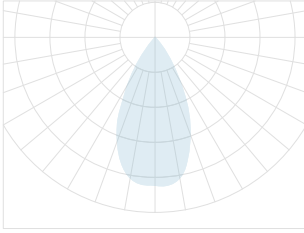
SOLAIR MOD/2

Commercial Downlight

PHOTOMETRICS

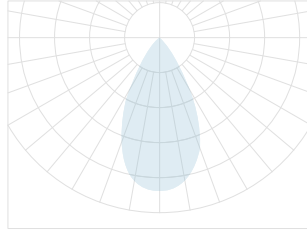
6" (18W)

Average Beam Angle (50%) 52.2°



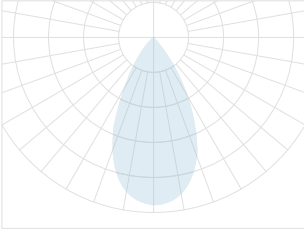
6" (27W)

Average Beam Angle (50%) 52.4°



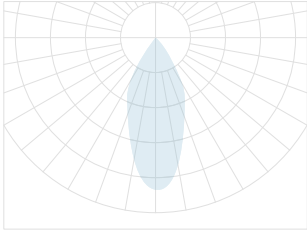
6" (40W)

Average Beam Angle (50%) 52.6°



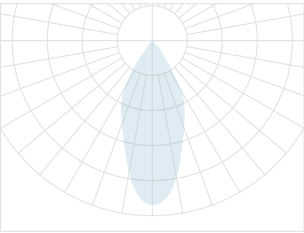
8" (18W)

Average Beam Angle (50%) 44.1°



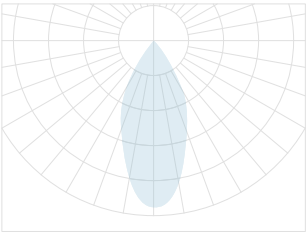
8" (27W)

Average Beam Angle (50%) 44.6°



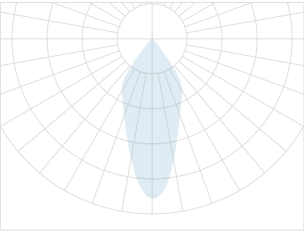
8" (40W)

Average Beam Angle (50%) 46.9°



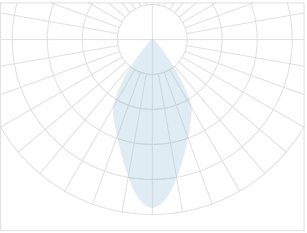
10" (27W)

Average Beam Angle (50%) 36.4°



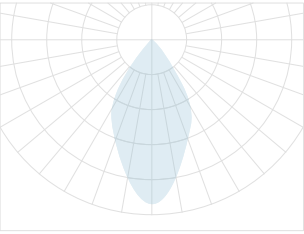
10" (40W)

Average Beam Angle (50%) 54.9°



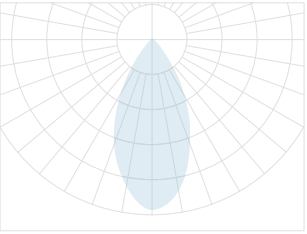
10" (54W)

Average Beam Angle (50%) 59.2°



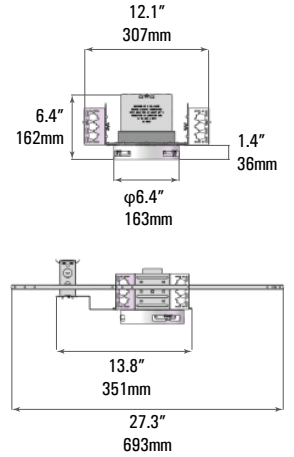
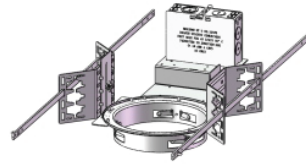
8" (80W)

Average Beam Angle (50%) 51.6°

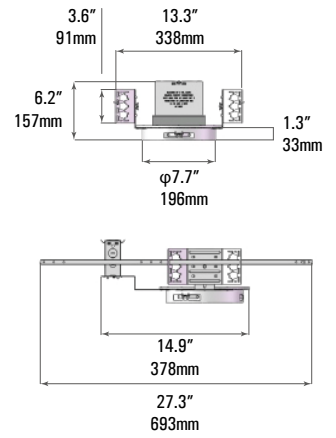
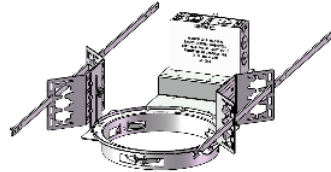


FRAME IN KIT

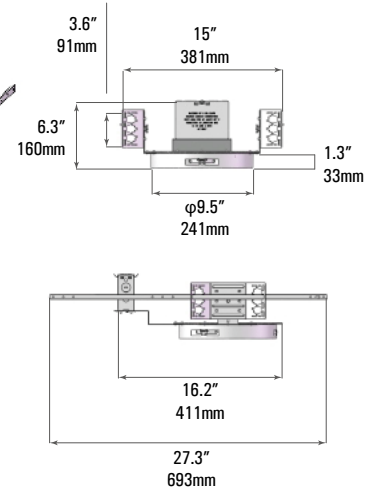
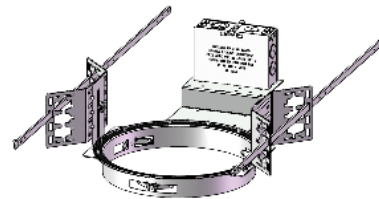
6" Trim



8" Trim



10" Trim



SOLAIR MOD/2

Commercial Downlight

PERFORMANCE

Nominal Lumens	14LM	21LM	32LM	40LM	52LM	64LM
Delivered Lumens	1,440	2,160	3,200	4,000	5,200	6,400
Wattage	18	27	40	50	65	80
Lumens per Watt	80	80	80	80	80	80

¹Initial delivered lumens at 25°C (77°F) based on 4000K. Actual production yield may vary between -10 and +10% of initial delivered

